



# AUXILIARY POWER MODULE

The Wireless Auxiliary Module is a solid state switch that can be operated via remote control up to 164 feet away. Any 12 Volt DC device up to 20 Amps can be turned on and off using the Wireless Traffic Boss Remote control.

If you are working outside your vehicle and need to turn a work light or other warning device on or off, you no longer have to return to your vehicle. **Simply reach into your pocket and use the remote control!**



**Wireless Traffic Boss System Required!**



**Press AUX button to turn on up to 20 amp load.**

## Features

- 100% Solid State switching. No mechanical relays
- Waterproof encapsulated electronics
- No limit to the number of AUX modules per system
- Built-in splash-proof fuse holder

## Specifications

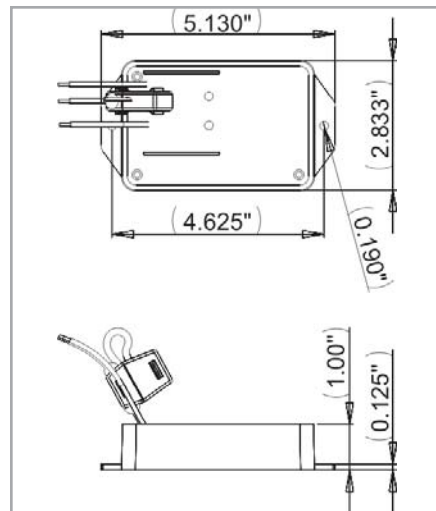
Input Voltage .....12.8 VDC (10 to 16 VDC)  
 Output Current.....20 Amps  
 Current Draw  
 in Stand by Mode .....7ma (0.007 Amps)

## Contents

- (1) WAUX1 Module
- (2) Mounting Screws
- (1) 25 Amp ATO Fuse (installed)

**Part Number: WAUX1**

## Dimensions



**Caution: Do not connect to hazardous equipment.**



Made in USA