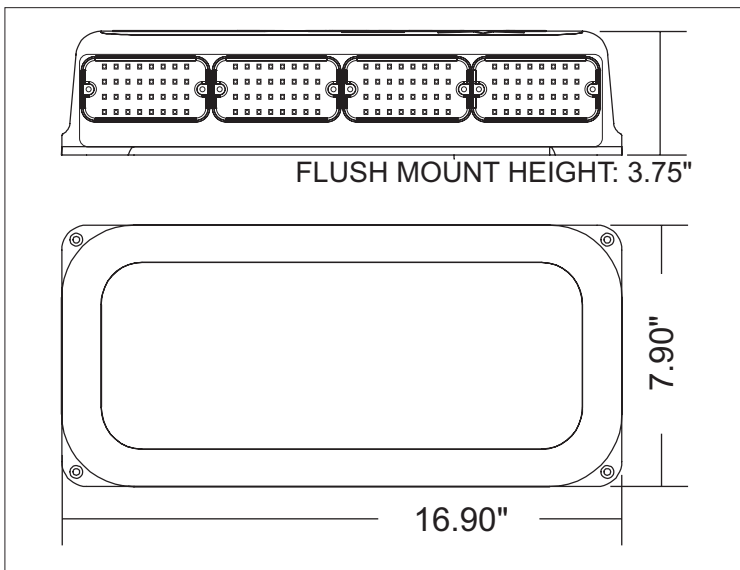


LED MICROBAR FLUSH MOUNT

TECHNICAL SPECIFICATIONS

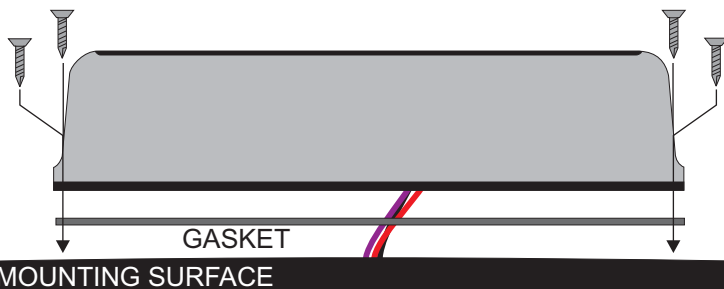
INPUT VOLTAGE	12.8 Vdc
INPUT CURRENT	2.0A MAX
FLASH PATTERNS.....	7
LED HEADS	4, 6, 8, OR 10
LED ELEMENTS	40 LEDs Per Head.
LIGHT OUTPUT	116 Lumens Per Head.

DIMENSIONS



FLUSH MOUNTING

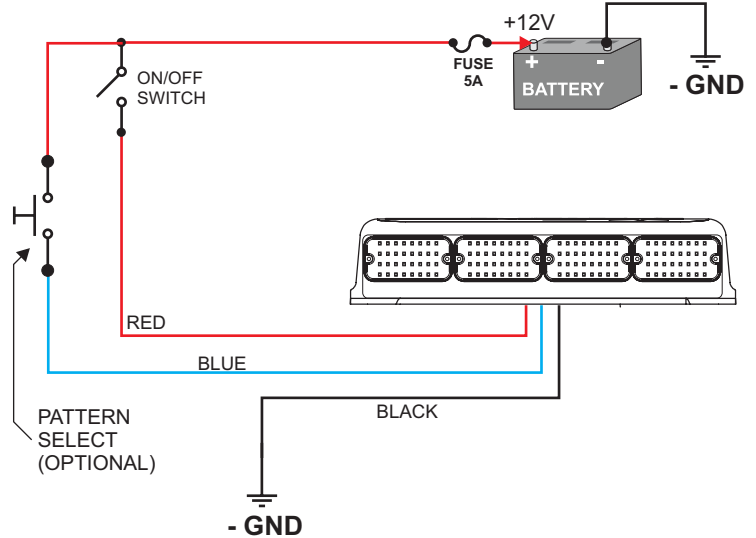
- 1) The provided gasket can be used to mark the location of the mounting and wire holes.
- 2) Place the gasket between the mounting surface and the LED MICROBAR. Run the wiring down through the hole in the mounting surface and secure the LED MICROBAR at the four corners with the supplied #10 drill point screws.



ELECTRICAL WIRING

- 1) Connect the **RED** wire to an ON/OFF switch. Connect the switch to +12V through a 5AMP fuse.
- 2) Connect the **BLACK** wire to - Ground.
Note: Use the correct size wire for power connections. The length of the wires determines the size needed.
1 to 15 ft. use 18AWG wire.
15 to 30 ft. use 16AWG wire.
30 to 45 ft. use 14AWG wire.
- 3) The **BLUE** wires select the flash pattern. When BLUE is touched to +12V the flash pattern advances to the next one in the FLASH PATTERN LIST.
Connect to Ground after flash pattern has been selected.
The LED MICROBAR will remember the flash pattern you selected even when power is removed.
You may also connect the BLUE wire to a momentary pushbutton on dashboard to change the flash pattern when desired.

WIRING DIAGRAM



PATTERN SELECT SWITCH IS A MOMENTARY, NORMALLY OFF, PUSHBUTTON SWITCH.

PRESSING PATTERN SELECT WILL INCREMENT THE FLASH PATTERN.
PRESS AND HOLD PATTERN SELECT WHILE TURNING THE POWER SWITCH ON TO RESET FLASH PATTERN TO #1.

FLASH PATTERN LIST

Touch BLUE wire to + 12V to select flash pattern.

#	Flash Pattern	Description
1	RANDOM	Randomly selects from patterns 2 through 7 and runs each pattern 5 times.
2	Double Flash	2 Flash Bursts. 500 Double Flashes Per Minute.
3	Quad Flash	4 Flash Bursts. 160 Quad Flashes Per Minute.
4	Mega Flash	1 Flash Burst. 750 Flashes Per Minute.
5	Extreme	1 Flash Burst. 1200 Flashes Per Minute.
6	Deciblast	10 Flash Bursts. All LEDs firing. 170 Deci Flashes Per Minute.
7	QuadMega	Quad Flash and Mega Flash combination flash pattern.