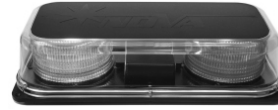


## MICROBAR360 LOW PROFILE LIGHT BAR



FLUSH MOUNT

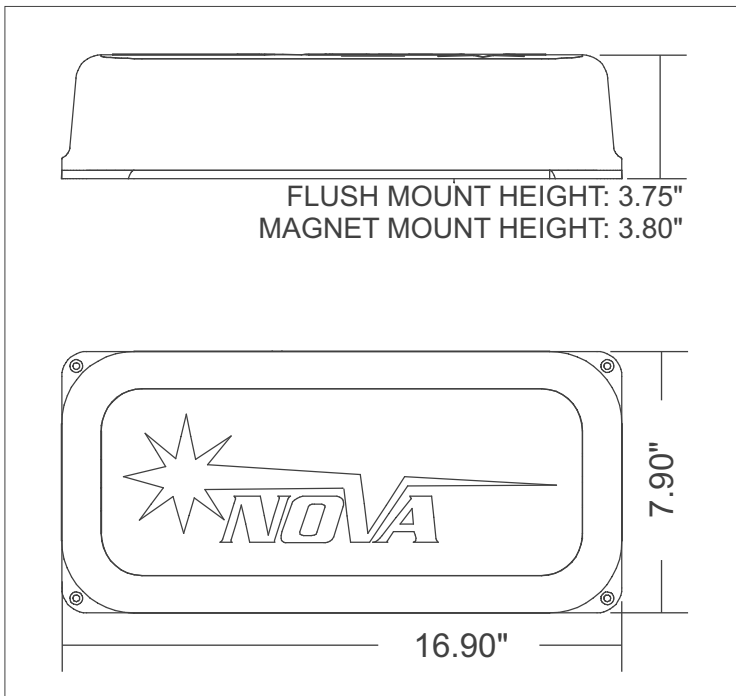


MAGNET MOUNT

### TECHNICAL SPECIFICATIONS

INPUT VOLTAGE .....	10 to 30 Vdc
INPUT CURRENT .....	3.0A at 12.8V, 1.4A at 25.6V
INPUT POWER .....	40Watts
OUTPUT POWER .....	30 Watts
OUTPUT ENERGY .....	27.2 Joules

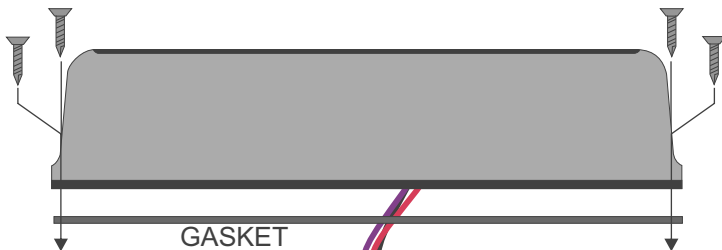
### DIMENSIONS



### FLUSH MOUNT VERSION

#### FLUSH MOUNTING

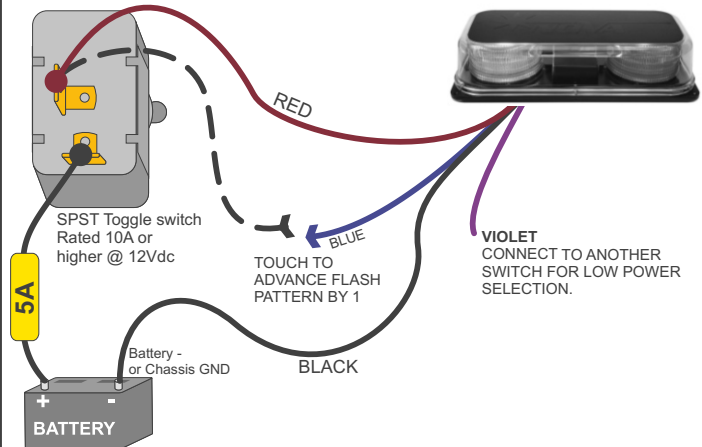
- 1) The provided gasket can be used to mark the location of the mounting and wire holes.
- 2) Place the gasket between the mounting surface and the MICROBAR360. Run the wiring down through the hole in the mounting surface and secure the MICROBAR360 at the four corners with the supplied #10 drill point screws.



### FLUSH MOUNT WIRING

- 1) Connect the **RED** wire to an ON/OFF switch. Connect switch to +12/24V through a 5AMP fuse.
- 2) Connect the **BLACK** wire to - Ground.  
*Note: Use the correct size wire for power connections. The length of the wires determines the size needed. 1 to 15 ft. use 18AWG wire. 15 to 30 ft. use 16AWG wire. 30 to 45 ft. use 14AWG wire.*
- 3) The **VIOLET** wire (optional) controls LOW POWER which reduces the light intensity for night-time driving. Connect to +V for low power, leave disconnected for high power.
- 4) The **BLUE** wires select the flash pattern. When BLUE is touched to +V the flash pattern advances to the next one in the FLASH PATTERN LIST. Connect to Ground after flash pattern has been selected. The MB360 will remember the flash pattern you selected even when power is removed. You may also connect the BLUE wire to a momentary pushbutton on dashboard to change the flash pattern when desired.

#### WIRING EXAMPLE: Simple ON/OFF control.



### FLASH PATTERN LIST

Use BLUE wire on Flush Mount version to select flash pattern. Use pushbutton on bottom of Magnet Mount version to select flash pattern.

#	Flash Pattern	Description
1	Single Flash	Single flash alternating, 200 Flashes per minute.
2	Double Flash	2 Flash Bursts Alternating, 125 double flashes per minute.
3	Triple Flash	3 Flash Bursts Alternating, 140 Triple Flashes per minute.
4	Quad Flash	4 Flash Bursts Alternating, 140 Quad Flashes per minute.
5	Quintuple Flash	5 Flash Bursts Alternating, 140 Quintuple Flashes per minute.
6	Mega Flash	Single flash alternating, 700 Flashes per minute.
7	Cycle Flash	Cycles through Double-Quad-Mega.
8	Random, Level 5	Randomly selects from all patterns and runs each pattern 5 times.

Pattern selection loops back to Pattern 1 when incremented past Pattern 8.

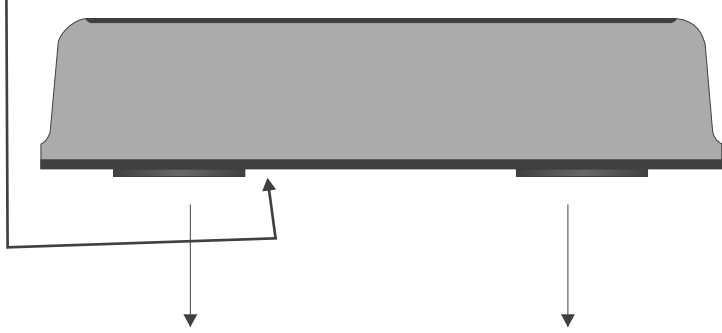
## MAGNET MOUNT VERSION

## BOTH VERSIONS

### MAGNET MOUNT

- 1) The Magnet Mount MICROBAR360 is equipped with two 80lb. pull magnets for mounting to a metal surface. The magnets have a non-scratch coating.

**PATTERN SELECT PUSHBUTTON**  
PLUG UNIT IN AND PUSH TO SELECT  
FLASH PATTERN BEFORE MOUNTING  
ON VEHICLE.



MOUNTING SURFACE

Magnetic products are not recommended for use on vehicles in motion due to the risk of detachment by wind, vehicle speed, or other cause. Nova Electronics assumes no liability for property damage, product loss, or personal injury resulting from use contrary to this recommendation.

### MAGNETIC MOUNT WIRING

- 1) The magnet mount MICROBAR360 comes equipped with a 12 foot cigarette lighter cord. The cigarette plug has a built-in ON/OFF switch with power indicator LED light.



- 2) The cigarette lighter plug contains an 8AMP replaceable fuse. (TYPE 3AG)

FUSE REMOVAL: UNSCREW THE CAP AT  
THE FRONT OF THE PLUG, REMOVE FUSE.



**IF THE CIGARETTE PLUG IS REMOVED  
AND THE UNIT IS WIRED DIRECTLY TO  
A POWER SWITCH, A MINIMUM OF A  
5AMP FUSE MUST BE USED!**

DAMAGE TO THIS UNIT CAUSED BY USE  
WITHOUT A PROPER FUSE WILL NOT BE  
COVERED UNDER WARRANTY.

### FLASHTUBE REPLACEMENT

- 1) Remove the 6 screws holding the clear dome assembly to the base of the unit. Remove the clear dome and the two lenses covering the bulbs.
- 2) Remove the two screws holding the power supply to the base. Unplug the bulb(s) from the wiring harness.
- 3) Remove the two screws holding the bulb(s) to the base. Replace the bulb(s)
- 4) Re-assemble the unit.

REPLACEMENT FLASHTUBE: TUBEHAF360

