

Hide-A-LED™



W600



SOLID COLOR

SPLIT COLOR

TECHNICAL SPECIFICATIONS

BLUE, WHITE, GREEN, PURPLE

INPUT VOLTAGE	10 to 30 Volts DC.
INPUT CURRENT	0.5A @ 12.8V, 0.2A @ 25.6V
LIGHT OUTPUT	BLUE: 155+ LUMENS
SPLIT COLOR IS HALF OF VALUE SHOWN PER SIDE	GREEN: 200+ LUMENS
	WHITE, PURPLE: 660+ LUMENS

RED & AMBER

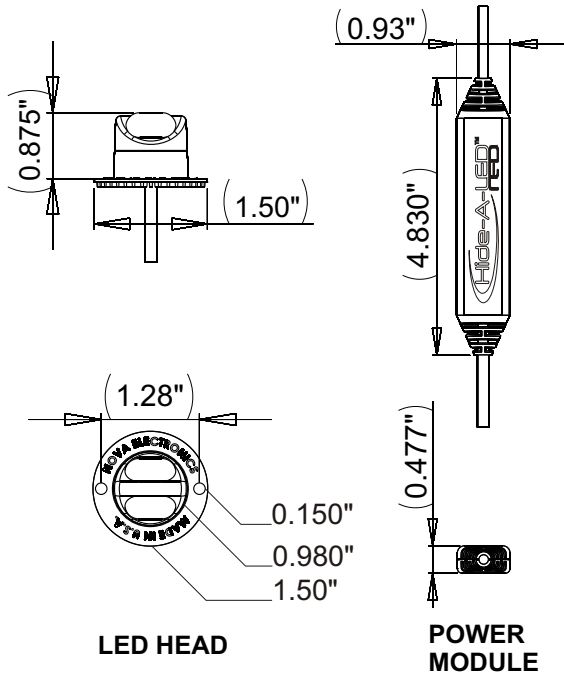
INPUT VOLTAGE	12.8V (10 to 16 Vdc)
INPUT CURRENT	0.25 Amps
LIGHT OUTPUT	AMBER: 160+ LUMENS
	RED: 123+ LUMENS

CABLE LENGTH.....	9 FT.
LED ELEMENTS.....	4
FLASH PATTERNS.....	16 (8 Standard, 8 optional cycle)
MAX NUMBER OF SYNC'D HEADS.....	64
WARRANTY PERIOD.....	5 YEARS

SPLIT COLOR:

INPUT VOLTAGE:.....	10 to 30 Vdc, 0.5 Amps
---------------------	------------------------

DIMENSIONS



ITEMS INCLUDED

- (1) HIDE-A-LED HEAD WITH BUILT IN POWER MODULE AND 9' CABLE.
- (1) MOUNTING GASKET
- (2) #6 X 1/2" STAINLESS STEEL MOUNTING SCREWS



PATENT PENDING.

INSTALLATION GUIDE

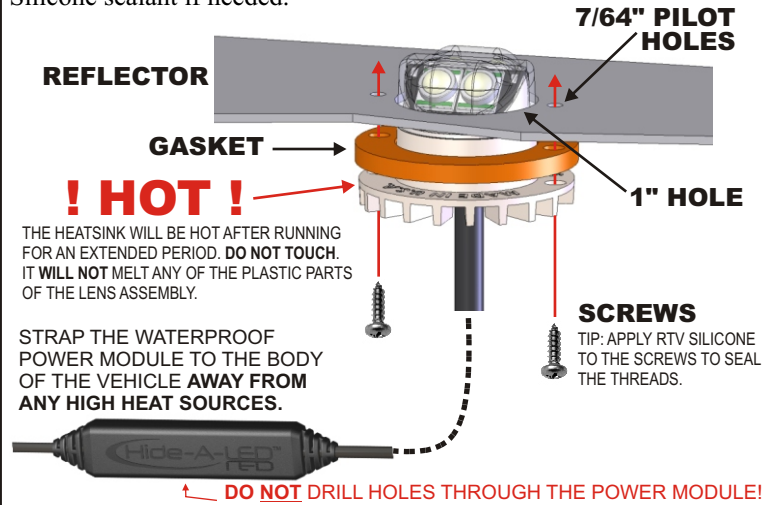


36 Doctor Foote Rd. Colchester CT 06415
 Tel: (860) 537-3471 • Fax: (860) 537-0656
www.strobe.com

MOUNTING

! THE HIDE-A-LED™ IS ONLY WATERPROOF WHEN MOUNTED INSIDE OF A LENS ASSEMBLY !

Drill a 1" diameter hole in the reflector of the lens assembly. A 1" hole saw is typically used. The HIDE-A-LED™ may be used as a template to mark the location of the two screw holes. The W600 may be mounted in either the back surface, bottom or sides of a reflector. Drill pilot holes with a 7/64" drill bit. Install the HIDE-A-LED into the lens assembly using the supplied gasket and screws. If the mounting surface is curved additional sealing may be necessary. Use RTV Silicone sealant if needed.



FOR DUAL WALL REFLECTORS: FIRST USE A 1.5" HOLE SAW TO DRILL THROUGH OUTER LAYER ONLY. THEN USE 1" HOLE SAW TO DRILL THROUGH INNER LAYER USING SAME PILOT DRILL HOLE. INSTALL THE LED HEAD THROUGH THE 1.5" HOLE AND SEAL THE GAP WITH SILICONE RTV.

ELECTRICAL CONNECTIONS

The cable on the HIDE-A-LED™ was made long enough to run across the front or the rear of a vehicle. Trim the cable shorter if needed. The wiring diagram on page 2 shows a typical install.

RED: +V

Connect to +V through an ON/OFF switch.

The use of a fuse located close to the voltage source is recommended. Size the fuse according to the number of heads used in the system. 18AWG or larger wire is recommended.

BLACK: - GROUND

Connect to - GROUND vehicle chassis. 18AWG or larger wire is recommended.

BLUE: Flash pattern SYNC and SELECTION wire.

If you wish to have all the LED heads synchronize their flash timings and patterns with each other then all the BLUE wires must be connected together. (64 Heads Maximum) The BLUE wire is also used to select the flash pattern. Touch the BLUE wire to +V to select the next pattern in the FLASH PATTERN LIST. The BLUE wire can also be run to a momentary push-button located on the dashboard to allow the flash pattern to be changed when desired.

Note: Do not connect the BLUE wire to - Ground.

It will disrupt the flash pattern sync signal.



ELECTRICAL CONNECTIONS

YELLOW: Alternating / Simultaneous selection.

The BLUE wires of all HIDE-A-LED™ heads must be connected together for the alternating / simultaneous function to work.

Connect to either +V or GROUND (GND).

The YELLOW wire makes the head fire AT THE SAME TIME or ALTERNATING with the other heads in the system.

Heads with YELLOW connected to +V fire at the same time.

Heads with YELLOW connected to GND fire at the same time.

Heads with YELLOW connected to +V will ALTERNATE with heads that have YELLOW connected to GND.

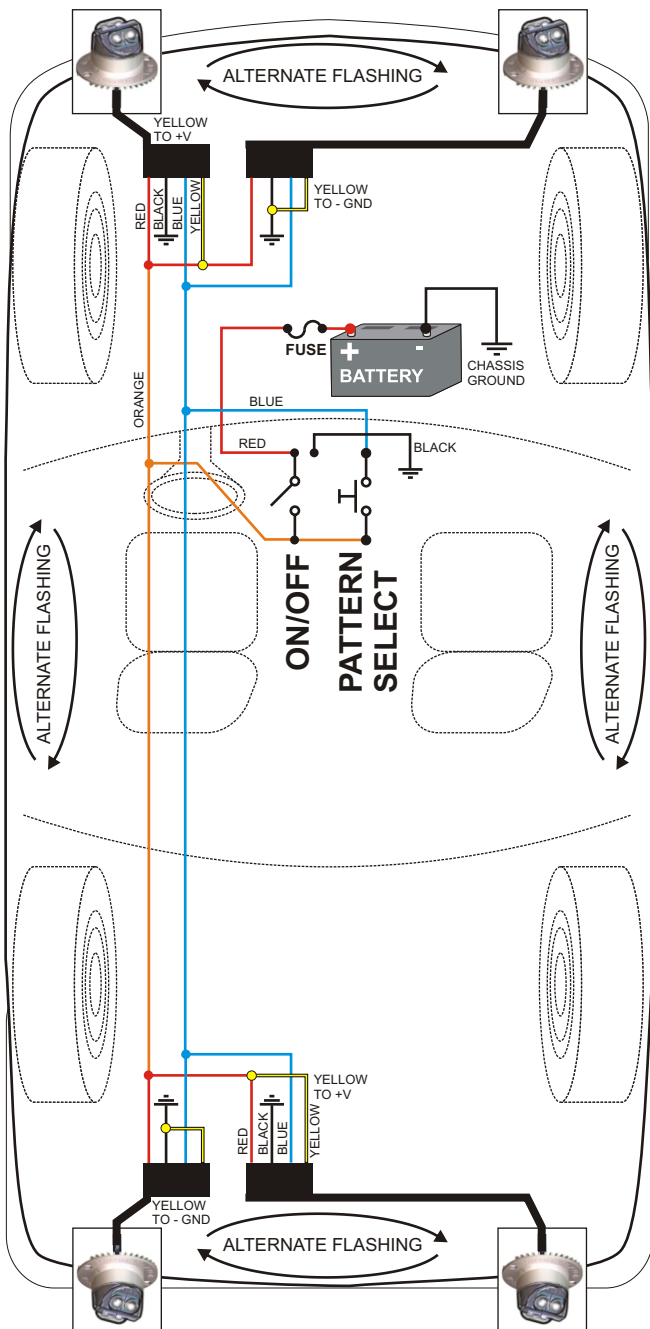
The YELLOW wire has no function in STEADY ON mode.

SPLIT COLOR: Split color heads will always alternate flash the two colors. The YELLOW wire will select which colors flash at the same time and which alternate.

The HIDE-A-LED™ will also synchronize with any BULL LED™ head. The wiring colors and functions are identical.

WIRING DIAGRAM

INSTALLATION OF 4 HIDE-A-LED™ USING PATTERN SELECT SWITCH PANEL (OPTIONAL) ON DASHBOARD.



FLASH PATTERNS

POWER-UP RESET:

After installing the system it is best to do a POWER-UP RESET the first time to ensure that all heads are in sync.

Touch BLUE wires to +V (RED wire) while applying power.

Release BLUE wires. All heads will reset to Pattern #2.

If you have installed a pattern select pushbutton, press and hold pattern select while turning power switch ON.

To select a flash pattern, touch BLUE to +V or press pattern select switch to increment the flash pattern. The heads will remember the selected pattern even if power is removed.

STANDARD PATTERNS			
#	Pattern:	Frequency:	Description:
1	Quad Flash	1.25 Hz	75 Quad Flashes Per Minute.
2	Double Flash	1.25 Hz	75 Double Flashes Per Minute.
3	Triple Flash	1.53 Hz	92.3 Triple Flashes Per Minute.
4	DeciBlast	1.42 Hz	85.5 Deci Flashes Per Minute.
5	Single Flash	1.25 Hz	75 Single Flashes Per Minute.
6	Mega Flash	1.90 Hz	114 Single Flashes Per Minute.
7	Triple+Burst	1.37 Hz	82.5 Triple+Burst Flashes Per Minute.
8	Steady On		Steady On. SPLIT COLOR = FAST MEGA
CYCLE PATTERNS			
9	Cycle All		Cycle through patterns 1 to 7.
10	Double-Triple+Burst		2 Double, 2 Triple+Burst cycle.
11	Cycle Classic		1 Double, 1 Quad, 2 Mega cycle.
12	Quad-Mega		3 Quad, 4 Mega cycle.
13	Single-Quad		2 Single, 2 Quad cycle.
14	DeciBlast-Quad		2 DeciBlast, 2 Quad cycle.
15	Single-Triple-DeciBlast		2 Single, 2 Triple, 2 DeciBlast cycle.
16	Mega-Triple+Burst		1 Mega, 1 Triple+Burst cycle.

STANDARD PATTERNS:

In order to maintain compatibility with the BULL LED™ product, the HIDE-A-LED™ ships with only the standard patterns enabled (1 through 8).

CYCLE PATTERNS:

You may add patterns 9 through 16 by following this procedure:

1) Touch BLUE wires to +V (RED wire) while applying power.

If you have installed a pattern select pushbutton, press and hold pattern select while turning power switch ON.

2) Hold BLUE wires on +V for 5 SECONDS (heads will not be flashing during this time). After 5 SECONDS the heads will flash once or twice to indicate the flash pattern list that has been selected:

ONE FLASH = Standard Patterns only.

TWO FLASHES = Standard + Cycle patterns.

3) Remove the BLUE wires from +V (or release pushbutton).

You may switch the pattern set at any time as many times as you wish. All heads will remember the pattern set that was selected even when power is removed.

TROUBLESHOOTING

HEAD NOT FLASHING:

Check the RED and BLACK wires for a reversed connection. (Reverse connection will not damage the unit). Check RED and BLACK wires for either a bad splice or a corroded ground connection.

HEADS NOT SYNCHRONIZING:

Check for a short circuit on the BLUE wire to either +V or GROUND.

Salt water on the wire connections will short circuit the sync signal on the BLUE wire. Check for non-functional heads in the system. If any one of the heads has a bad GROUND connection it can cause the sync signal to become corrupted. If any one of the heads has it's RED and BLACK wires reverse connected it will corrupt the sync signal.

FLASH PATTERN CHANGING:

If the flash pattern changes on it's own there may be an intermittent short between the BLUE wire and +V. Check for water in the wiring connections. If any one of the heads in the system has an intermittent GROUND connection it can also cause the flash pattern to change.