



! THE HIDE-A-LED™ IS ONLY WATERPROOF WHEN MOUNTED INSIDE OF A LENS ASSEMBLY !

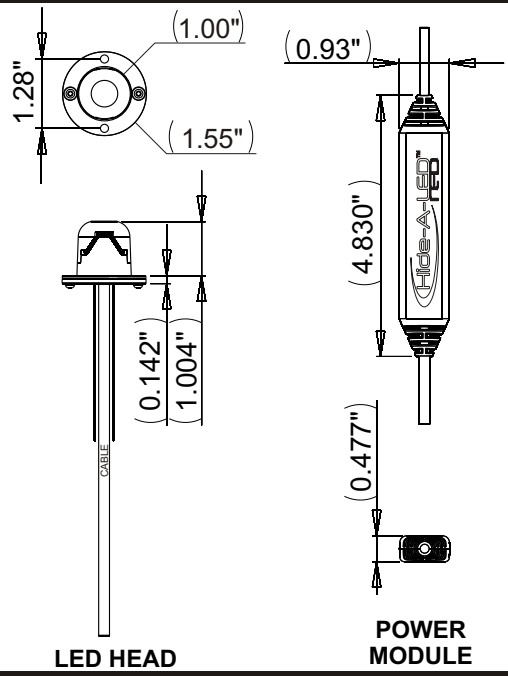
TECHNICAL SPECIFICATIONS

SOLID COLOR:
 INPUT VOLTAGE 10 to 30 Volts DC.
 INPUT CURRENT 1.25A @ 12.8V, 0.6A @ 25.6V
 LIGHT OUTPUT AMBER: 358+ LUMENS
 BLUE: 240+ LUMENS
 GREEN: 312+ LUMENS
 RED: 358+ LUMENS
 WHITE, PURPLE: 1100+ LUMENS

SPLIT COLOR:
 INPUT VOLTAGE..... 10 to 30 Volts DC.
 INPUT CURRENT 0.5A @ 12.8V, 0.2A @ 25.6V
 LIGHT OUTPUT AMBER: 119+ LUMENS
 (For each 2 LED segment) BLUE: 80+ LUMENS
 GREEN: 104+ LUMENS
 RED: 119+ LUMENS
 WHITE: 367+ LUMENS

CABLE LENGTH..... 9 FT.
 LED ELEMENTS 6
 FLASH PATTERNS..... 16 (8 Standard, 8 optional cycle)
 MAX NUMBER OF SYNCHRONIZED HEADS..... 64
 WARRANTY PERIOD..... 5 YEARS

DIMENSIONS

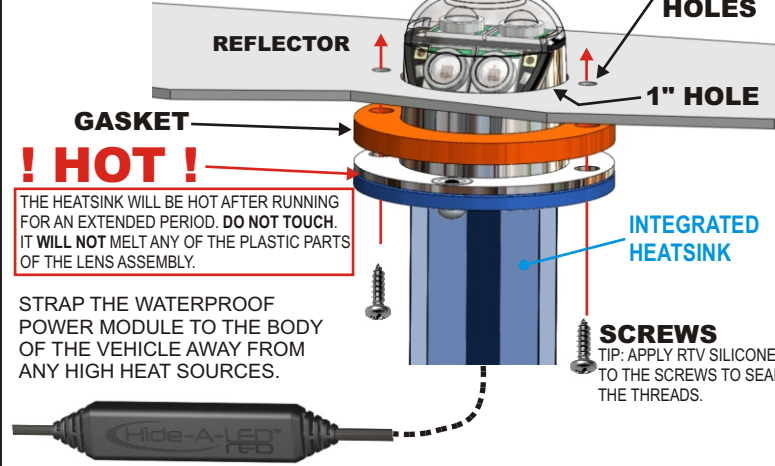


ITEMS INCLUDED

- (1) HIDE-A-LED HEAD WITH INTEGRATED HEATSINK, BUILT IN POWER MODULE AND 9' CABLE.
 - (1) MOUNTING GASKET
 - (2) #6 X 1/2" STAINLESS STEEL MOUNTING SCREWS
- PATENT PENDING.
-

MOUNTING

Drill a 1" diameter hole in the reflector of the lens assembly. A 1" hole saw is typically used. The HIDE-A-LED™ may be used as a template to mark the location of the two screw holes. The X1100 may be mounted in either the back surface, bottom or sides of a reflector. Drill pilot holes with a 7/64" drill bit. Install the HIDE-A-LED into the lens assembly using the supplied gasket and screws. If the mounting surface is curved additional sealing may be necessary. Use RTV Silicone sealant if needed.



! HOT !
 THE HEATSINK WILL BE HOT AFTER RUNNING FOR AN EXTENDED PERIOD. DO NOT TOUCH. IT WILL NOT MELT ANY OF THE PLASTIC PARTS OF THE LENS ASSEMBLY.

STRAP THE WATERPROOF POWER MODULE TO THE BODY OF THE VEHICLE AWAY FROM ANY HIGH HEAT SOURCES.

DO NOT DRILL HOLES THROUGH THE POWER MODULE!
 THE X1100 HAS AN INTEGRATED HEASINK WHICH MUST BE USED TO MAINTAIN A SAFE OPERATING TEMPERATURE.
! THE HEATSINK MUST NOT BE REMOVED !
 THE HEATSINK CAN BE BENT INTO ANY SHAPE NEEDED TO FIT THE SPACE AVAILABLE FOR THE APPLICATION.

ELECTRICAL CONNECTIONS

The cable on the HIDE-A-LED™ was made long enough to run across the front or the rear of a vehicle. Trim the cable shorter if needed. The wiring diagram on page 2 shows a typical install.

RED: +V
 Connect to +V through an ON/OFF switch. The use of a fuse located close to the voltage source is recommended. Size the fuse according to the number of heads used in the system. 18AWG or larger wire is recommended.

BLACK: - GROUND
 Connect to - GROUND vehicle chassis. 18AWG or larger wire is recommended.

BLUE: Flash pattern SYNC and SELECTION wire.
 If you wish to have all the LED heads synchronize their flash timings and patterns with each other then all the BLUE wires must be connected together. (64 Heads Maximum)
 The BLUE wire is also used to select the flash pattern. Touch the BLUE wire to +V to select the next pattern in the FLASH PATTERN LIST. The BLUE wire can also be run to a momentary push-button located on the dashboard to allow the flash pattern to be changed when desired.
Note: Do not connect the BLUE wire to - Ground. It will disrupt the flash pattern sync signal.



ELECTRICAL CONNECTIONS

YELLOW: Alternating / Simultaneous selection.

(It is assumed that all BLUE wires are connected together.)

Connect to either +V or GROUND (GND).

Heads with YELLOW connected to +V fire at the same time.

Heads with YELLOW connected to GND fire at the same time.

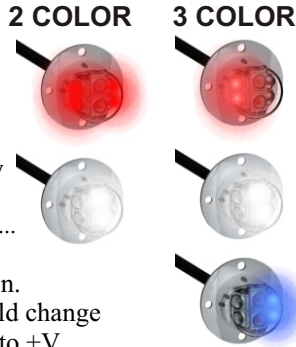
Heads with YELLOW connected to +V will ALTERNATE with heads that have YELLOW connected to GND.

SPLIT COLOR HEADS:

X1100 heads with 2 or more colors always alternate within themselves.

2 COLOR: Alternates the outer two with the center. For Example: RED-WHITE... RED-WHITE...

3 COLOR: Each color fires individually in sequence. For Example: RED-WHITE-BLUE... RED-WHITE-BLUE...



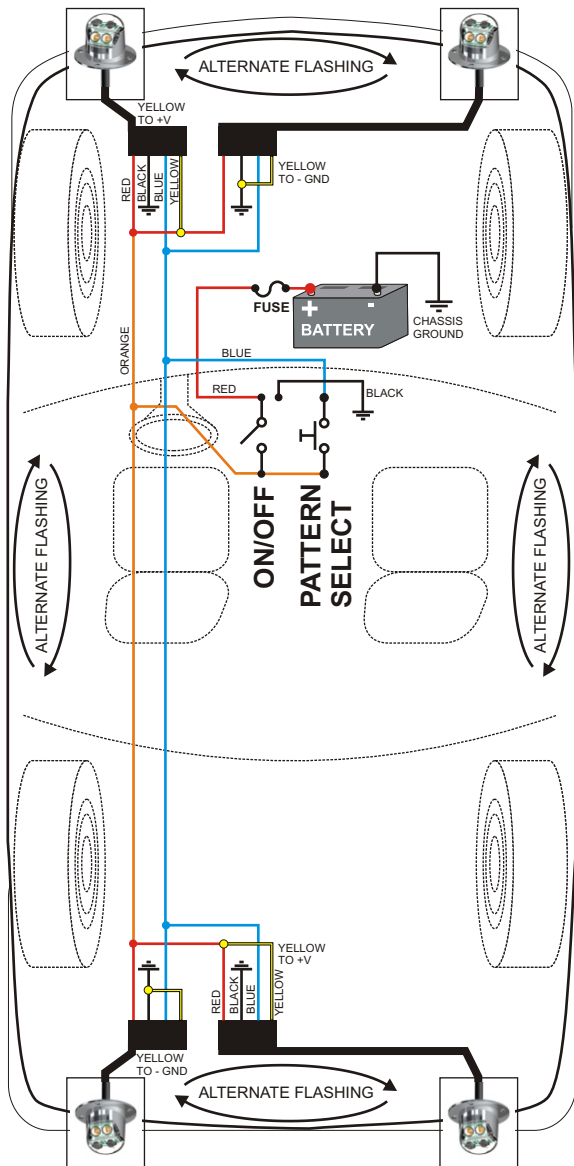
The YELLOW wire reverses the direction.

For Example: RED-WHITE-BLUE would change to BLUE-WHITE-RED with YELLOW to +V

The X1100 will also synchronize with any other HIDE-A-LED™ or BULL LED™ head. The wiring colors and functions are identical.

WIRING DIAGRAM

INSTALLATION OF 4 HIDE-A-LED™ USING PATTERN SELECT SWITCH PANEL (OPTIONAL) ON DASHBOARD.



FLASH PATTERNS

POWER-UP RESET:

After installing the system it is best to do a POWER-UP RESET the first time to ensure that all heads are in sync.

Touch BLUE wires to +V (RED wire) while applying power.

Release BLUE wires. All heads will reset to Pattern #2.

If you have installed a pattern select pushbutton, press and hold pattern select while turning power switch ON.

To select a flash pattern, touch BLUE to +V or press pattern select switch to increment the flash pattern. The heads will remember the selected pattern even if power is removed.

STANDARD PATTERNS			
#	Pattern:	Frequency:	Description:
1	Quad Flash	1.25 Hz	75 Quad Flashes Per Minute.
2	Double Flash	1.25 Hz	75 Double Flashes Per Minute.
3	Triple Flash	1.53 Hz	92.3 Triple Flashes Per Minute.
4	DeciBlast	1.42 Hz	85.5 Deci Flashes Per Minute.
5	Single Flash	1.25 Hz	75 Single Flashes Per Minute.
6	Mega Flash	1.90 Hz	114 Single Flashes Per Minute.
7	Triple+Burst	1.37 Hz	82.5 Triple+Burst Flashes Per Minute.
8	Steady On		Steady On. SPLIT COLORS: FAST MEGA
CYCLE PATTERNS			
9	Cycle All		Cycle through patterns 1 to 7.
10	Double-Triple+Burst		2 Double, 2 Triple+Burst cycle.
11	Cycle Classic		1 Double, 1 Quad, 2 Mega cycle.
12	Quad-Mega		3 Quad, 4 Mega cycle.
13	Single-Quad		2 Single, 2 Quad cycle.
14	DeciBlast-Quad		2 DeciBlast, 2 Quad cycle.
15	Single-Triple-DeciBlast		2 Single, 2 Triple, 2 DeciBlast cycle.
16	Mega-Triple+Burst		1 Mega, 1 Triple+Burst cycle.

STANDARD PATTERNS:

In order to maintain compatibility with the BULL LED™ product, the HIDE-A-LED™ ships with only the standard patterns enabled (1 through 8).

CYCLE PATTERNS:

You may add patterns 9 through 16 by following this procedure:
1) Touch BLUE wires to +V (RED wire) while applying power. If you have installed a pattern select pushbutton, press and hold pattern select while turning power switch ON.

2) Hold BLUE wires on +V for 5 SECONDS (heads will not be flashing during this time). After 5 SECONDS the heads will flash once or twice to indicate the flash pattern list that has been selected:

ONE FLASH = Standard Patterns only.

TWO FLASHES = Standard + Cycle patterns.

3) Remove the BLUE wires from +V (or release pushbutton).

You may switch the pattern set at any time as many times as you wish. All heads will remember the pattern set that was selected even when power is removed.

TROUBLESHOOTING

HEAD NOT FLASHING:

Check the RED and BLACK wires for a reversed connection. (Reverse connection will not damage the unit). Check RED and BLACK wires for either a bad splice or a corroded ground connection.

HEADS NOT SYNCHRONIZING:

Check for a short circuit on the BLUE wire to either +V or GROUND. Salt water on the wire connections will short circuit the sync signal on the BLUE wire. Check for non-functional heads in the system. If any one of the heads has a bad GROUND connection it can cause the sync signal to become corrupted. If any one of the heads has it's RED and BLACK wires reverse connected it will corrupt the sync signal.

FLASH PATTERN CHANGING:

If the flash pattern changes on it's own there may be an intermittent short between the BLUE wire and +V. Check for water in the wiring connections. If any one of the heads in the system has an intermittent GROUND connection it can also cause the flash pattern to change.