

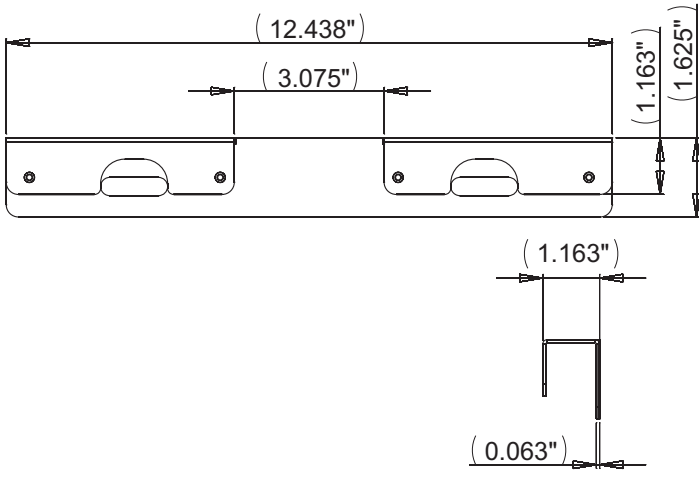


www.BULLLED.COM

# B2LPBRKT-B

LICENCE PLATE BRACKET FOR TWO BULL LED<sup>SM</sup>

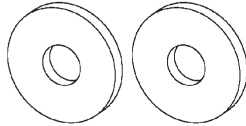
## DIMENSIONS:



## HARDWARE:

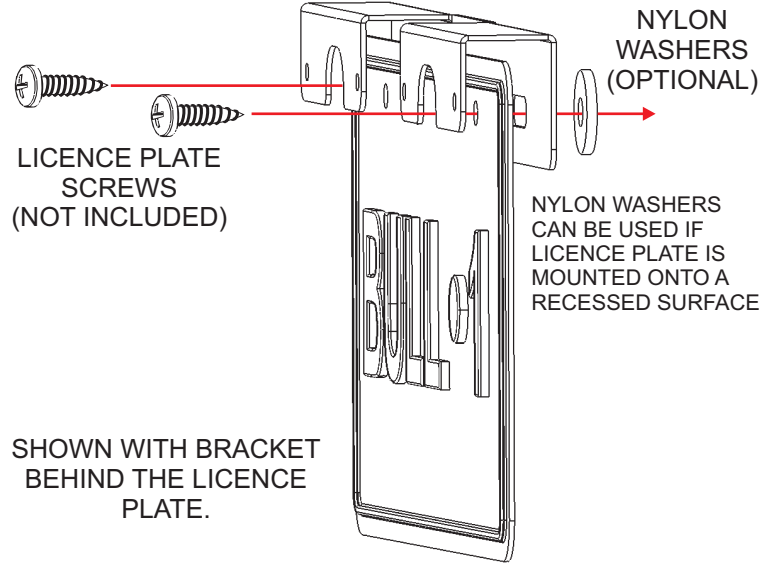


(4)  
#6 X 1/4"  
SCREWS



(2)  
1" NYLON  
WASHERS

## BRACKET MOUNTING



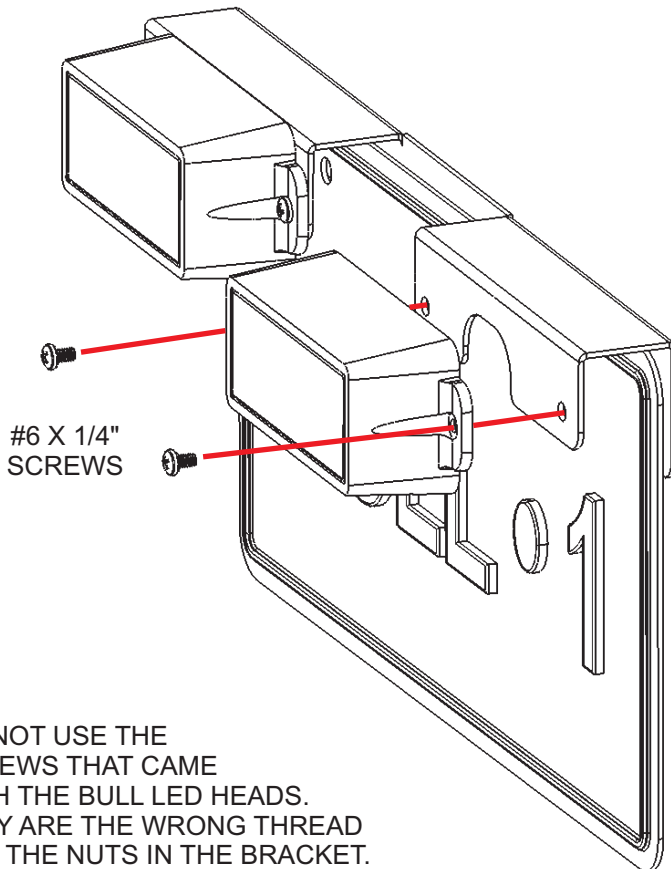
LICENCE PLATE  
SCREWS  
(NOT INCLUDED)

NYLON  
WASHERS  
(OPTIONAL)

NYLON WASHERS  
CAN BE USED IF  
LICENCE PLATE IS  
MOUNTED ONTO A  
RECESSED SURFACE

SHOWN WITH BRACKET  
BEHIND THE LICENCE  
PLATE.

## MOUNTING LED HEADS:



#6 X 1/4"  
SCREWS

DO NOT USE THE  
SCREWS THAT CAME  
WITH THE BULL LED.  
THEY ARE THE WRONG  
THREAD FOR THE NUTS  
IN THE BRACKET.

## WIRING:

RUN THE WIRING UP THROUGH THE  
CENTER OF THE BRACKET.  
SEE BULL LED INSTALL SHEET  
FOR WIRING DETAILS.

