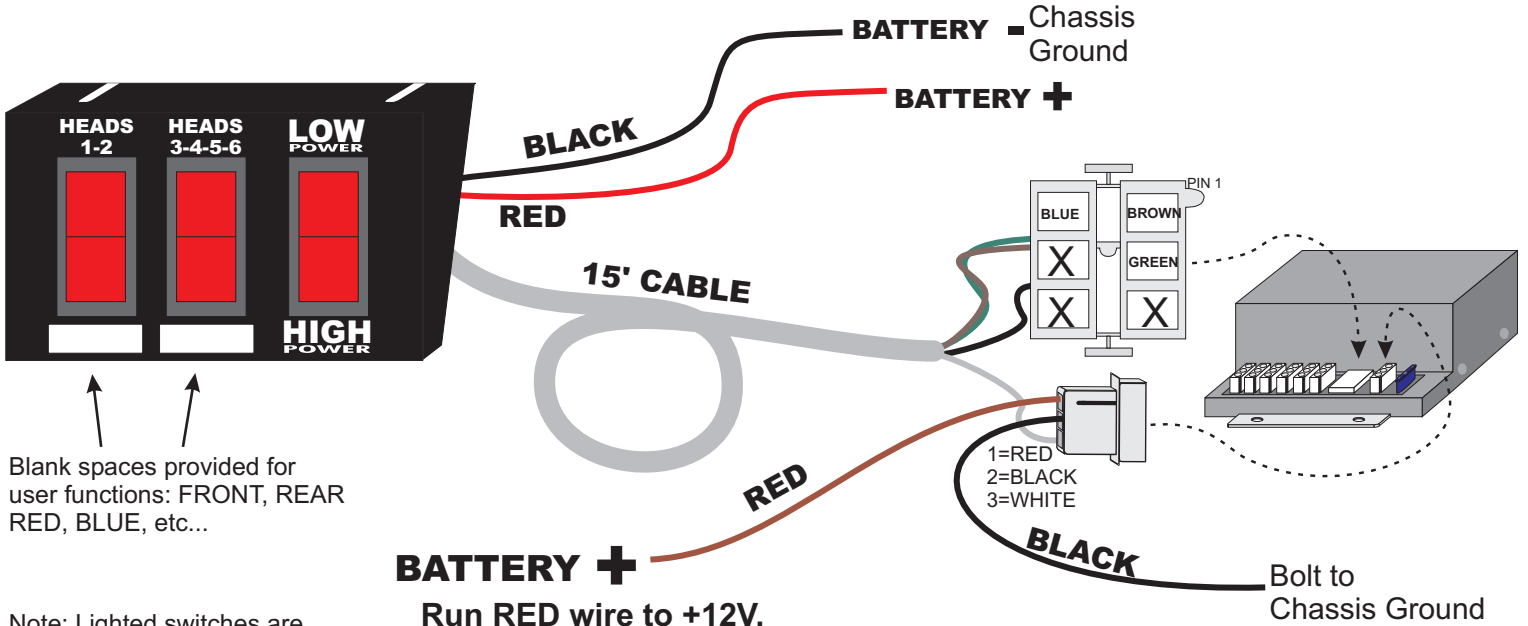


# SWITCH-6WH

## INSTALLATION SHEET

### SELECTIVE SWITCH FOR 6 HEAD POWER SUPPLY



Blank spaces provided for user functions: FRONT, REAR, RED, BLUE, etc...

Note: Lighted switches are for 12 volt systems only.

#### BATTERY +

Run RED wire to +12V.

To ensure correct operation use the proper size wire:

For a 40 Watt power supply, use 18AWG wire.

For a 60 Watt power supply use 16AWG wire.

For an 80 Watt or higher power supply use 14AWG wire.

For wire lengths longer than 25 feet, use 14AWG wire.

