

# LED MICROTHIN

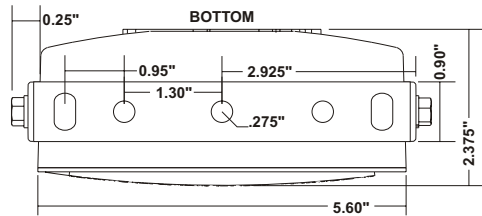
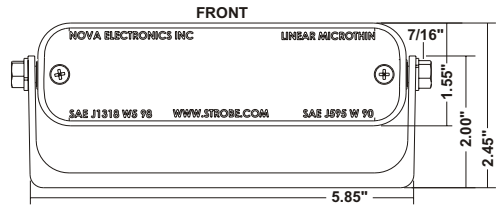
## HIGH INTENSITY LED WARNING SIGNAL



### SPECIFICATIONS:

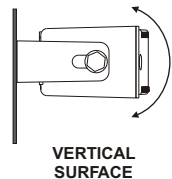
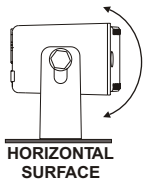
**Input Voltage:** 10 to 16 Volts DC.  
**Current Draw:** 0.250 Amps Max.  
**Ambient Operating Temp:** -40C to +55C  
 -40F to +130F

### DIMENSIONS:



### INSTALLATION:

**Mounting:**  
 Mount the bracket to the vehicle in the desired location using the screws provided. Attach The LED Microthin to the bracket using the two 7/16" HEX bolts and lock-washers provided. The LED Microthin can be mounted to a horizontal or vertical surface and aimed in many directions. Mounting screws provided.



### ELECTRICAL CONNECTIONS:

#### RED WIRE:

Connect the **RED** wire to an On/Off switch that is connected to +12 Volts.

**This unit is internally fused with a self-resetting fuse. If the fuse is tripped it will reset within 20 seconds or less. You do not need to open the unit to change or reset the fuse.**

The fuse will trip if the unit is reverse connected to the battery, and may also trip if the vehicle is jump-started when the light is running.

The use of a 5 Amp fuse located close to the +12V source is recommended to protect the wiring and the switch from short circuits.

#### BLACK WIRE:

Connect the **BLACK** wire to - GROUND.

#### BLUE WIRE:

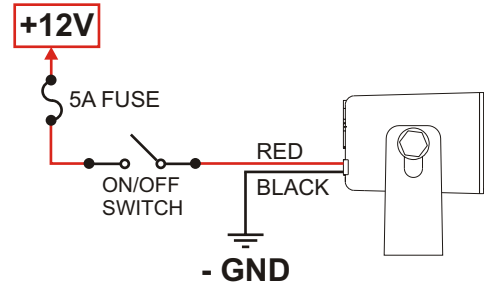
Flash Pattern Selection  
 (See other side for flash pattern list).  
 The LED MICROTHIN comes factory set to Pattern 12 (Random). The Flash pattern can be changed by momentarily touching the **BLUE** wire to +12V. The flash pattern will increment by 1 each time and loop back around to pattern 1 when incremented past 12.

The LED MICROTHIN will remember the flash pattern you select even when disconnected from power.

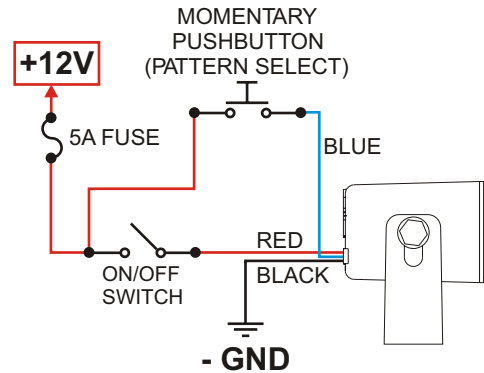
The **BLUE** wire may be left unconnected or tied to GROUND when not in use.

### WIRING EXAMPLES:

#### SIMPLE ON/OFF CONTROL

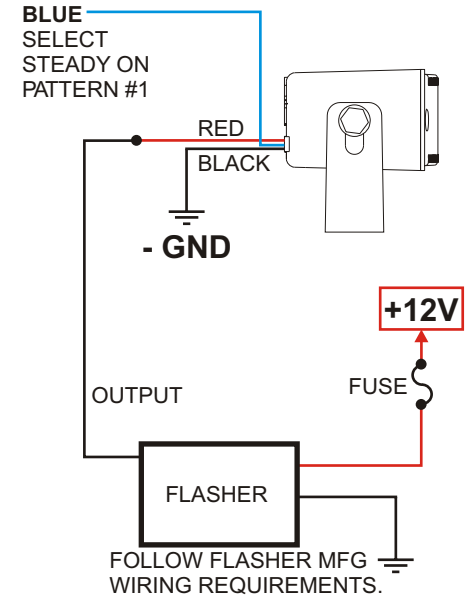


#### ON/OFF WITH PATTERN SELECTION



#### CONNECTING TO LAMP FLASHER

The LED Microthin can be connected to the output of a standard Halogen Lamp flasher.



### FLASH PATTERNS:

#	Flash Pattern	Description
1	Steady On	All 4 LEDs constant on. May be used with external 12V flasher.
2	Double (split)	2 Flash Bursts, Split 2-2
3	Quad (split)	4 Flash Bursts, Split 2-2
4	Mega (split)	Single Flashes, High Rate, Split 2-2
5	DeciBlast (split)	10 Flash Bursts, Split 2-2
6	Double (all)	2 Flash Bursts, All 4 LEDs light at the same time.
7	Quad (all)	4 Flash Bursts, All 4 LEDs light at the same time.
8	Mega (all)	Single Flashes, High Rate, All 4 LEDs light at the same time.
9	DeciBlast (all)	10 Flash Bursts, All 4 LEDs light at the same time.
10	Flasher	Wig-Wag, 3 Flashes per second, Split 2-2
11	California	Left 2 LEDs Flashing, Right 2 LEDs Steady On.
12	Random, Level 10	Randomly selects from patterns 2 through 10.

