

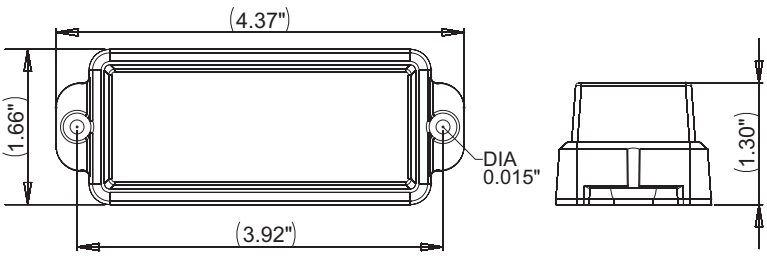


# LUMINAIRE

## TECHNICAL SPECIFICATIONS

INPUT VOLTAGE ..... 12.8 Vdc (Min 10V, Max 16V)  
 INPUT CURRENT ..... 0.35 Amps Maximum  
 LED ELEMENTS ..... 3  
 INTENSITY LEVELS ..... 8 (15% TO 100% OUTPUT)  
 LIGHT OUTPUT ..... 20 to 138 Lumens Minimum  
 WARRANTY PERIOD ..... 5 YEARS

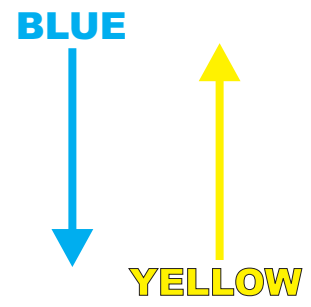
## DIMENSIONS



## INTENSITY LEVELS

There are 8 intensity levels which can be changed using the BLUE and YELLOW wires. Connect BLUE or YELLOW to +12V to change levels. When increasing above level 8 it will loop back to level 1. When decreasing below level 1 it will loop back to level 8. The intensity level setting is retained even when power is removed.

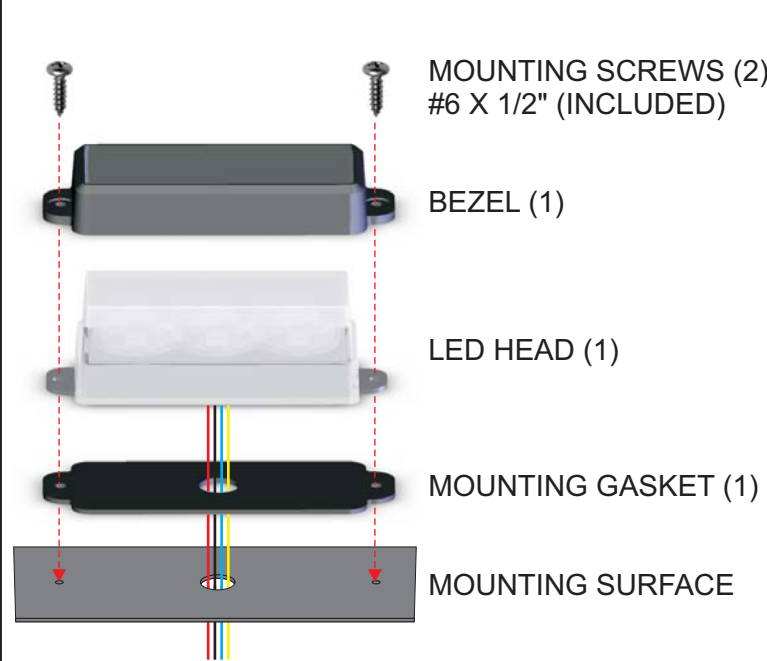
#	Intensity level	Lumens
1	15%	21
2	27%	37
3	40%	55
4	50%	69
5	63%	87
6	75%	104
7	87%	120
8	100%	138



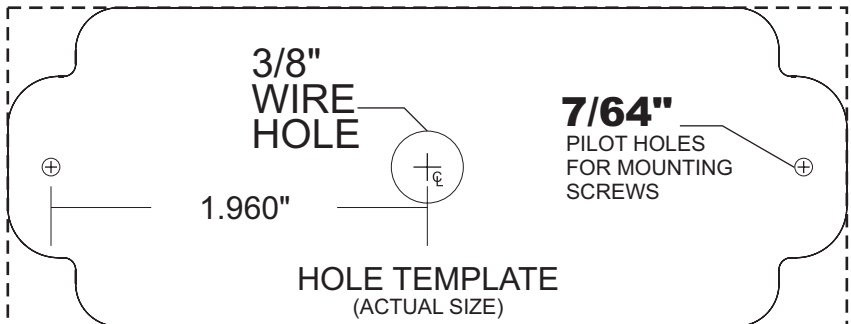
## INSTALLATION PROCEDURE

- (1) Flush Mounting:** Use the HOLE TEMPLATE to mark the hole locations for the two mounting screws and the wires. Drill 7/64" pilot holes for the mounting screws and a 3/8" hole for the wires. If you purchased an accessory bracket, follow the mounting instructions provided.
- (2) Make Electrical Connections.** (*Wiring diagrams on back*) Be sure to run the wiring through the mounting gasket first.
- (3) Mount the BULL LED™**  
Follow the Mounting Diagram to the right.
- (4) Test the system.**  
Turn the power switch ON and check all the BULL LED™ heads. To make sure all heads are at the same intensity level, touch the BLUE wire to +12V (or press pattern select pushbutton) while turning the power switch ON. This will set all heads to Intensity Level #1. Then select the desired Intensity Level by momentarily touching BLUE wire to +12V (or pressing a pushbutton if installed).

## MOUNTING DIAGRAM



## HOLE TEMPLATE



## ELECTRICAL CONNECTIONS

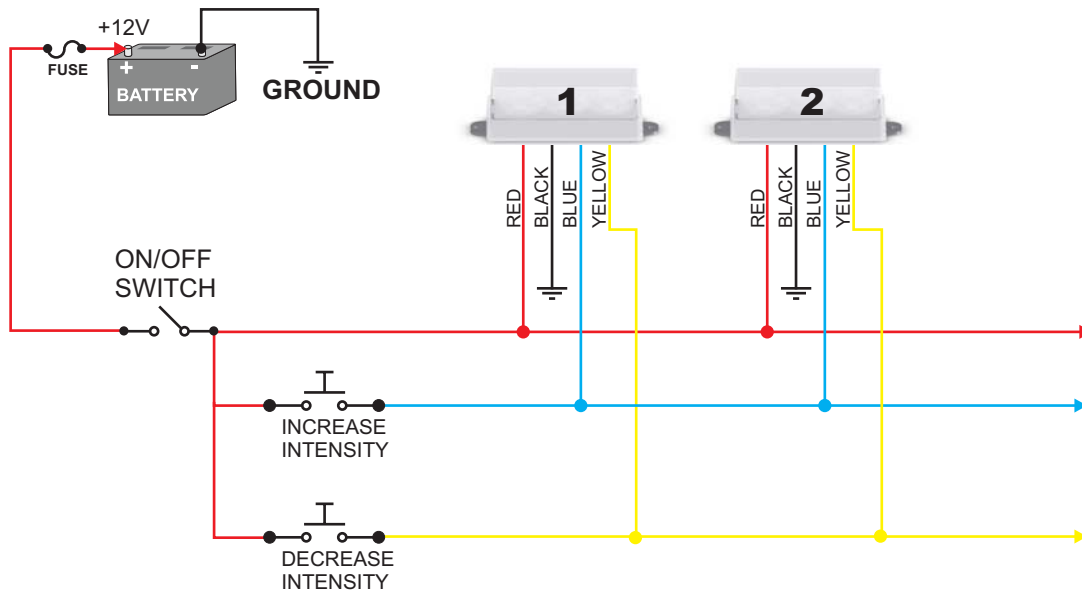
**RED:** Connect to +12V through an ON/OFF switch.  
The use of a fuse located close to the voltage source is recommended. Size the fuse according to the number of heads used in the system. 18AWG or larger wire is recommended.

**BLACK:** Connect to - GROUND *vehicle chassis*.  
18AWG or larger wire is recommended.

**BLUE:** Momentarily connect BLUE to +12V to INCREASE the brightness of the LEDs.  
BLUE can also reset the intensity level to #1 by connecting to +12V when power is applied to the RED wire.

**YELLOW:** Momentarily connect YELLOW to +12V to DECREASE the brightness of the LEDs.

## WIRING EXAMPLE



**3,4,5,6...**  
CONNECT AS MANY AS NEEDED.

**PRESS AND HOLD "INCREASE INTENSITY" BUTTON WHILE TURING THE POWER SWITCH ON TO RESET THE INTENSITY OF ALL HEADS TO #1**

THE PUSHBUTTONS ARE OPTIONAL.  
THE INTENSITY LEVEL CAN BE SET USING THE WIRES ONLY.  
CONNECT THE BLUE AND YELLOW TO GROUND AFTER SELECTING THE INTENSITY LEVEL TO PREVENT IT FROM CHANGING AGAIN. THE SELECTED INTENSITY LEVEL WILL BE RETAINED EVEN WHEN POWER IS REMOVED.

## SEALING WIRE CONNECTIONS

**THE WIRE CONNECTIONS MUST BE SEALED IF USED IN A WET LOCATION. WATER WILL CORRODE THE WIRES.**

**ELECTRICAL TAPE WILL NOT SEAL A CONNECTION WE RECOMMEND AN RTV SILICONE SEALANT.**

