

INSTALLATION SHEET

EZSTROBE

3" x 5" 12Watt, Quad Flash
Self Powered Strobe Head



INSTALLATION

(1) If the vehicle does not have a mounting hole to fit the EZSTROBE head, use the template on the back of this sheet to mark and cut the hole. Brackets are also available for mounting without cutting holes into vehicle.

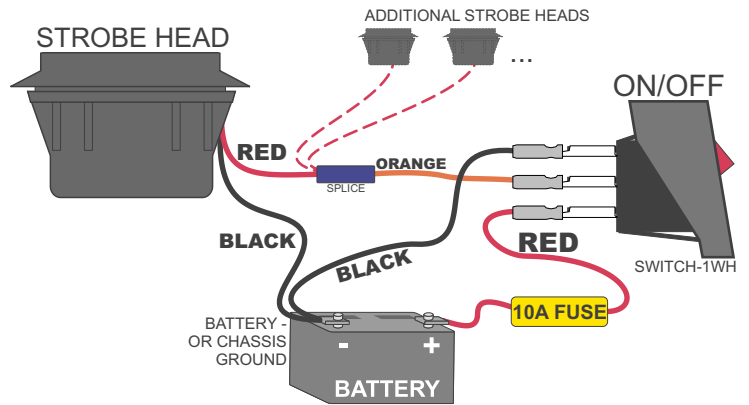
(2) Connect the BLACK wire to the nearest CHASSIS GROUND or to the BATTERY NEGATIVE terminal. Connect the RED wire to the *load* terminal of an ON/OFF switch. Connect the other terminal of the ON/OFF switch to a 10 AMP fused connection to +12V or +24V.

! YOU MUST USE A FUSE WITH THIS PRODUCT !

The use of at least 16AWG wire is recommended. You can connect multiple EZSTROBE heads to the same ON/OFF switch. Use an ON/OFF switch rated for at least 10Amps at 12Vdc.

(3) Press the 3x5 STROBE HEAD into the mounting hole to complete the installation. Removing the plastic lens from the front of the rubber housing will make installation easier.

WIRING DIAGRAM

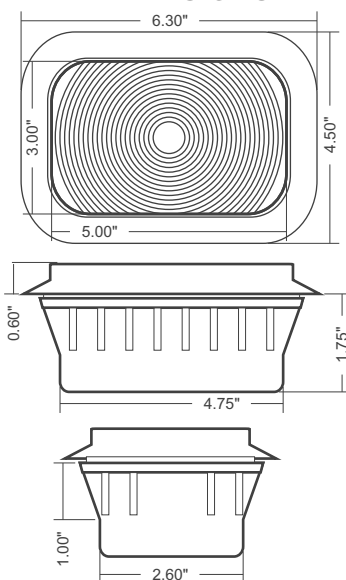


SPECIFICATIONS

ELECTRICAL SPECIFICATIONS

Input Power	16 Watts
Output Power	12 Watts
Output Energy	10.34 Joules
Flash Rate	70 Quad Flashes/min
Primary Flash Energy	3.14 Joules
Secondary Flash Energies	2.40 Joules
Input Voltage	10-30VDC
Input Current	1.25A @ 12.8VDC 0.65A @ 25.6VDC

DIMENSIONS



ACCESSORIES

- EZBRACKETH:** Right angle bracket for mounting to a horizontal surface.
- EZBRACKETV:** Bracket for mounting to a vertical surface.
- SWITCH1WH:** Lighted On/Off switch with bracket and wires.

1.00"
Radius

MOUNTING HOLE TEMPLATE
(ACTUAL SIZE)

5.45" 3.58"