

QUICKSTROBE

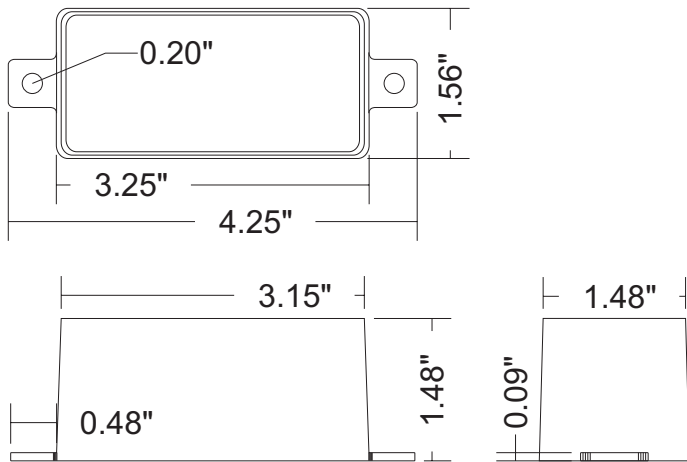
12 WATT SINGLE HEAD
STROBE POWER SUPPLY



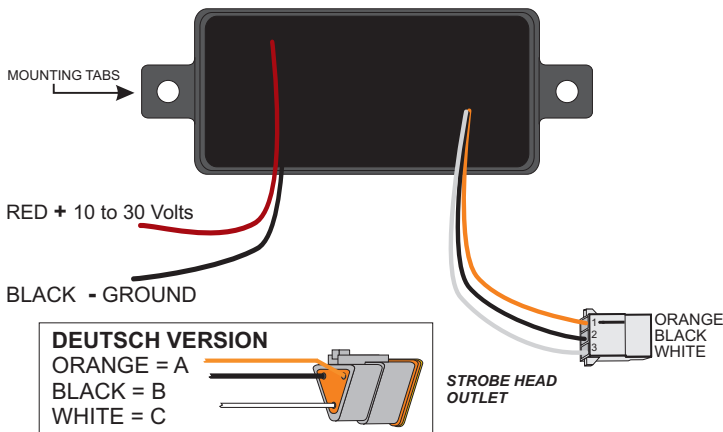
TECHNICAL SPECIFICATIONS

INPUT VOLTAGE	10 to 30 Vdc
INPUT CURRENT	1.2A at 12.8V, 0.6A at 25.6V
INPUT POWER	15.4Watts
OUTPUT POWER	12.4 Watts
OUTPUT ENERGY	10.64 Joules
FLASH RATE	
Quad Flash:	70 Quad Flashes Per Minute.

DIMENSIONS

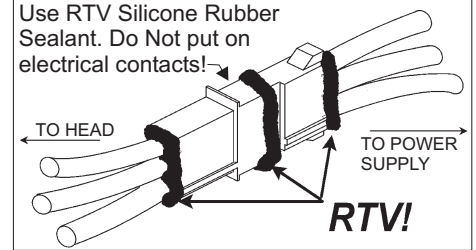


CONNECTION DIAGRAMS



INSTALLING THE QUICKSTROBE ...

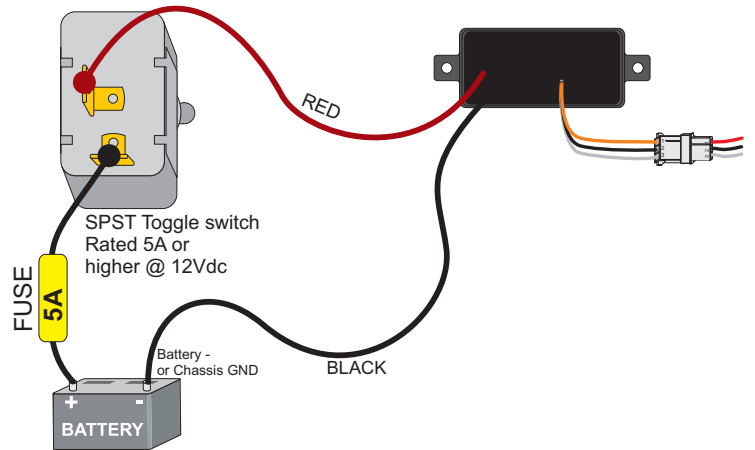
- Seal AMP Connectors**
When mounting in a location which is exposed to water, the **STROBE HEAD OUTLETS** must be sealed.



DEUTSCH VERSION:
DEUTSCH CONNECTORS ARE SELF-SEALING AND DO NOT REQUIRE SEALING WITH RTV.

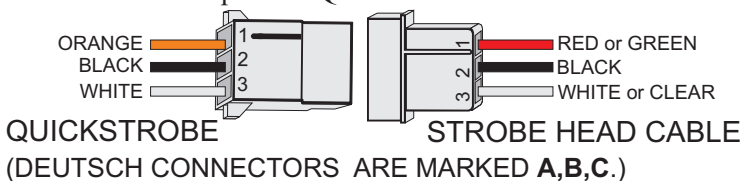
- Electrical Hookup**
Connect the **RED** wire to +12/24V through an ON/OFF switch. The use of a 5A fuse is **required**.
Connect the **BLACK** wire to - Ground.
*Note: Use the correct size wire for power connections.
The length of the wires determines the size needed.
1 to 40 ft. use 18AWG wire.
over 40, use 16AWG wire.*

WIRING DIAGRAM: Simple ON/OFF control.



INSTALLING THE QUICKSTROBE

- Mounting**
The QUICKSTROBE can be mounted to a flat surface. The holes in the mounting tabs will accept up to a #10 screw.
- Connect Strobe Heads**
The diagram below shows how the strobe head cable color code matches up to the QUICKSTROBE..



TROUBLESHOOTING

Blown Fuse: The QUICKSTROBE will blow a fuse if the input voltage is reversed. If this happens, first locate the wiring fault, then replace the fuse with one of the same rating.

Erratic behavior (and/or) shutdown: The QUICKSTROBE will shut down if there is a short circuit condition on the strobe head. If the electrical conductors connecting the power supply to the strobe head are exposed to water a short circuit will result. The first sign is intermittent operation, followed by complete shutdown.
The QUICKSTROBE will also shut down if the input voltage drops below 10 Volts. Check for bad power connections.