

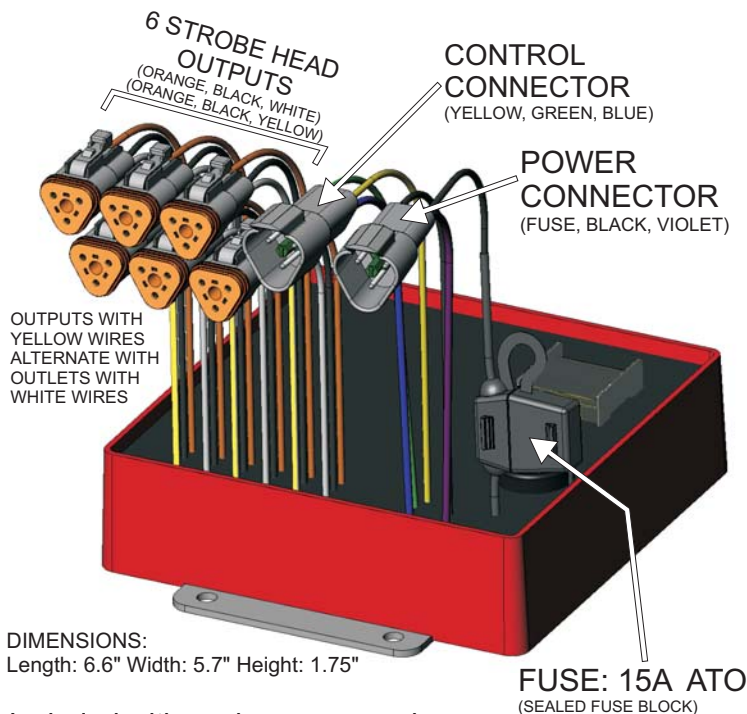
SUPERPAK606XWP

60 WATT 6 OUTLET WATERPROOF STROBE POWER SUPPLY

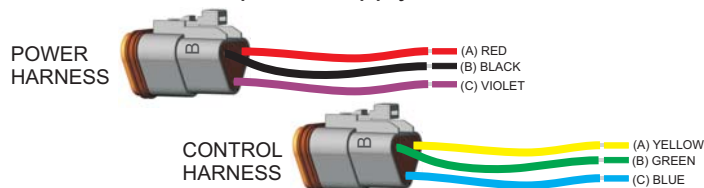
TECHNICAL SPECIFICATIONS

| | |
|---------------------|------------------------------|
| INPUT VOLTAGE | 10 to 30 Vdc |
| INPUT CURRENT | 5.5A at 12.8V, 2.6A at 25.6V |
| INPUT POWER | 70.4 Watts |
| OUTPUT POWER | 60 Watts in high power mode. |
| | 40 Watts in low power mode. |
| OUTPUT ENERGY | 51.5 Joules |
| FLASH PATTERNS..... | 15 |

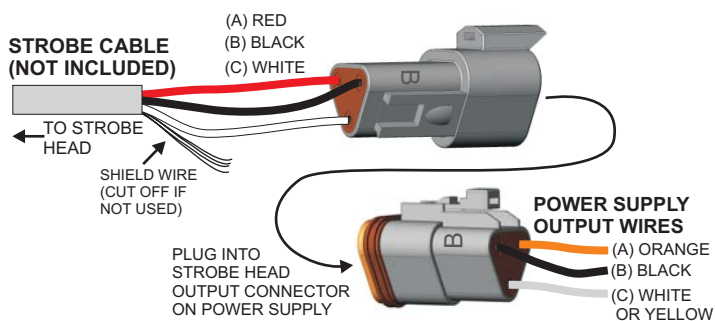
CONNECTION DIAGRAMS



Included with each power supply:



STROBE HEAD CONNECTION



INSTALLATION

- Mounting:**

If possible, mount to a flat metal surface to aid in heat dissipation. Use the power supply as a template to mark the hole locations. The mounting holes will accept up to a 1/4" bolt.

The unit can be mounted in a wet location if the wiring is sealed correctly (See Sealing Wire Connections on next page).

Note: The power supply baseplate must be connected to chassis ground (GND) to reduce radio interference.
- Strobe Head Installation:**

Plug the strobe head extension cables into the outlets.

 - Outputs with **YELLOW** wire flash at the same time. (1,3,5)
 - Outputs with **WHITE** wire flash at the same time. (2,4,6)
 - Outputs with **YELLOW** wire alternate with outputs with **WHITE** wire.

• Be sure to use strobe heads with the correct power rating. The total output power (60 Watts) of the SUPERPAK606XWP is distributed to the strobe heads as follows:

 - 1 Head installed and activated = 30 Watts.
 - 2 Heads installed and/or activated = 30 Watts per head.
 - 3 Heads installed and/or activated = 2 heads at 15 Watts each, 1 at 30 Watts.
 - 4 Heads installed and/or activated = 15 Watts per head.
 - 5 Heads installed and/or activated = 3 heads at 10 Watts, 2 at 15 Watts.
 - 6 Heads installed and/or activated = 10 Watts per head.
- Electrical Hookup:**

If you have purchased a switch panel, follow the included instructions. If you are wiring the system yourself follow the instructions below and the diagrams on the next page.

POWER HARNESS:

 - Connect the **RED** wire to BATTERY +. Another 15A fuse located close to battery is recommended.
 - Connect the **BLACK** wire to battery negative (-) or directly to vehicle chassis.

Note: Use the correct size wire for power connections. The length of the wires determines the size needed.

 - 1 to 10 ft. use 18AWG wire.
 - 10 to 20 ft. use 16AWG wire.
 - 20 to 35 ft. use 14AWG wire.
 - 35 to 50 ft. use 12AWG wire.
 - The **VIOLET** wire activates LOW power mode. The output power is reduced to 40 Watts in LOW power mode. Connect **VIOLET** to +12/24V to activate LOW power mode, leave disconnected or connect to GROUND for high power mode.

CONTROL HARNESS:

YELLOW: Flash pattern selection. Momentarily connect to +12/24V to advance to the next flash pattern in the PATTERN LIST. Momentarily connect for 3 seconds to reset to pattern #1. The flash pattern will be retained when the SUPERPAK606XWP is turned off or if power is removed. To change flash patterns frequently, connect **YELLOW** to a momentary pushbutton located in the passenger compartment.

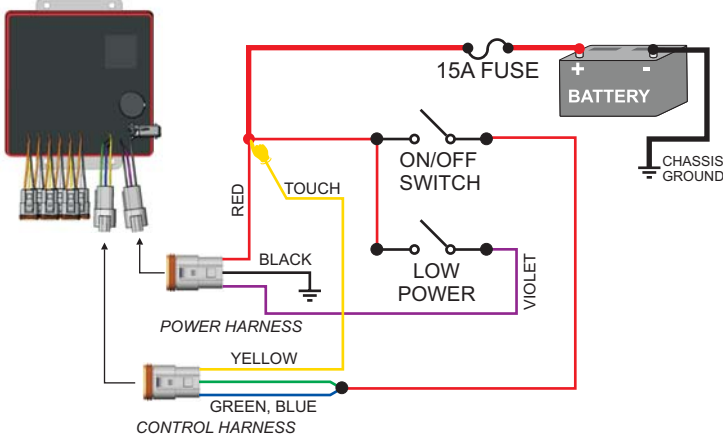
GREEN: Activates Heads 1 & 2 when connected to +12/24V.

BLUE: Activates Heads 3,4,5 & 6 when connected to +12/24V.

NOTE: VIOLET, YELLOW, GREEN, and BLUE are all **Low Current** circuits and can be wired with a minimum of 18AWG wire.

WIRING DIAGRAM 1

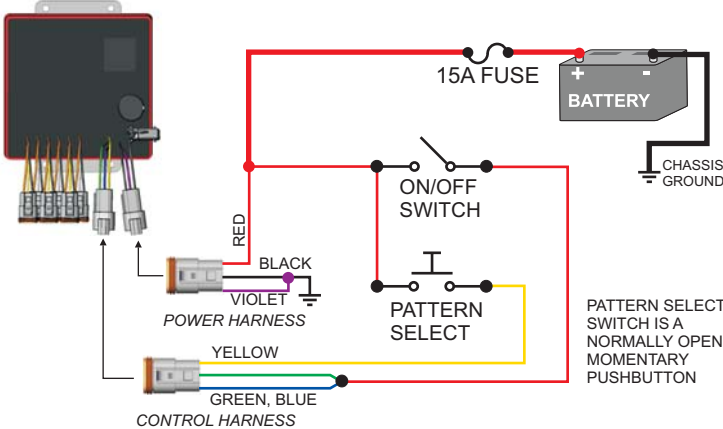
ON/OFF and LOW POWER control.



Touch YELLOW to +12/24V wire to select flash pattern.
Connect YELLOW to GROUND to ensure that flash pattern will never change.

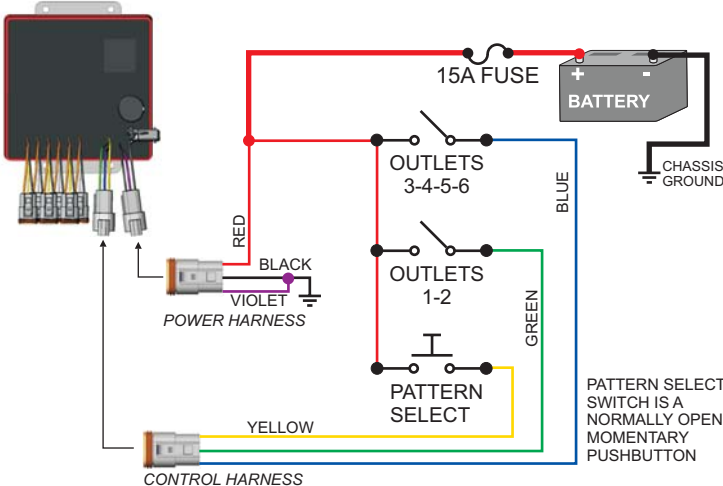
WIRING DIAGRAM 2

ON/OFF and PATTERN SELECT switches. High Power mode.



WIRING DIAGRAM 3

SELECTIVE HEAD SWITCHING and PATTERN SELECT.
High Power mode.



FLASH PATTERN SELECTION

Momentarily connect YELLOW wire to +12/24V to advance to the next flash pattern in the list below. (Or use pushbutton if you installed one). The flash pattern loops back to pattern #1 when it is advanced past #15. If you are unsure of which flash pattern is currently selected, connect and hold YELLOW to +12/24V for 3

| # | Flash Pattern | Description |
|----|-------------------|---|
| 1 | Quad Flash | 4 Flash bursts alternating, 140 Quad Flashes Per Minute. |
| 2 | Quintuple Flash | 5 Flash bursts alternating, 140 Quintuple Flashes Per Minute. |
| 3 | Mega Flash | 1 Flash burst alternating, 700 Flashes Per Minute. |
| 4 | Double Flash | 2 Flash bursts alternating, 125 Double Flashes Per Minute. |
| 5 | Single Flash | 1 Flash burst alternating, 200 Single Flashes Per Minute. |
| 6 | Twin Single Flash | Two Single Flash bursts before alternating, 120 Twin Single Flashes Per Minute. |
| 7 | Twin Double Flash | Two Double Flash bursts before alternating, 100 Twin Single Flashes Per Minute. |
| 8 | Triple Flash | 3 Flash bursts alternating, 140 Triple Flashes Per Minute. |
| 9 | Twin Triple Flash | Two Triple Flash bursts before alternating, 70 Twin Triple Flashes Per Minute. |
| 10 | Twin Mega Flash | Two Mega flash bursts before alternating, 350 Twin Mega! Flashes Per Minute |
| 11 | Triple-Mega-Bang | Three Flashes alternating then one Single Flash, 76 Flashes Per Minute. |
| 12 | Warble | 6 Single flashes alternating at 450 FPM, 6 single flashes alternating at 860 FPM. |
| 13 | Phased Mega Flash | 1 Flash burst alternating, Flash rate varies from 360 FPM to 860 FPM |
| 14 | Single-Quad | Single Flash - Quad Flash combination pattern. |
| 15 | Cycle Flash | Two warble flashes, Two Quad Flashes, Two Mega Flashes in a continuous cycle. |

TROUBLESHOOTING

— 15 — BLOWN FUSE

The SUPERPAK606XWP will blow a fuse if the input voltage is reversed. If this happens, first locate the wiring fault, then replace the fuse with one of the same rating. If the fuse continues to blow it indicates an internal fault. Do not use a fuse larger than 15A!

SEALING WIRE CONNECTIONS

IF THE UNIT IS MOUNTED IN A WET LOCATION THE CONNECTIONS BETWEEN THE POWER & CONTROL HARNESES AND THE USER SUPPLIED WIRING SHOULD BE SEALED

ELECTRICAL TAPE WILL NOT SEAL A CONNECTION WE RECOMMEND AN RTV SILICONE SEALANT OR HEAT SEALED BUTT-SPLICE

