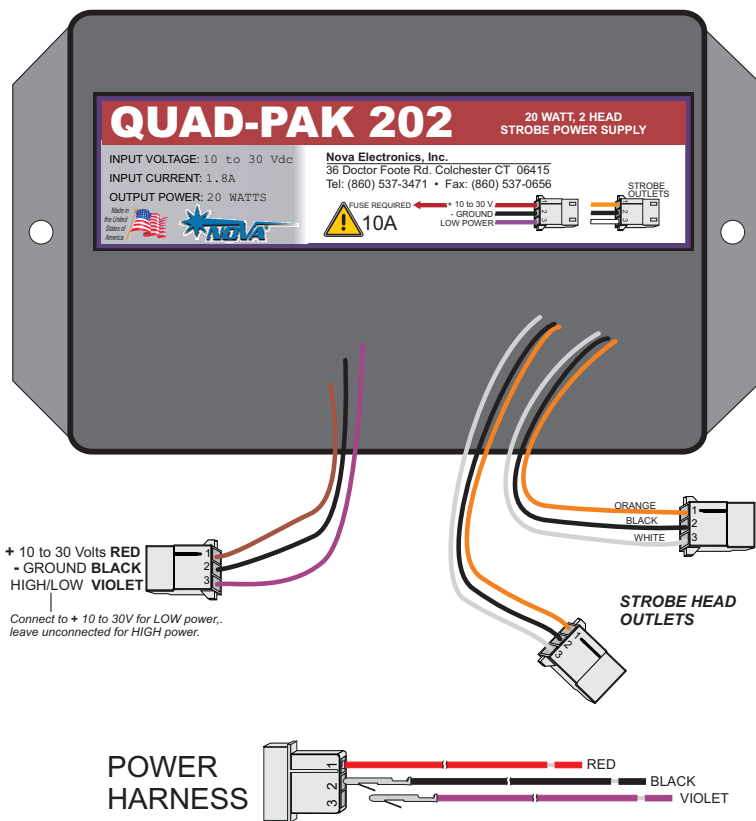


QUAD-PAK 202

TECHNICAL SPECIFICATIONS

INPUT VOLTAGE	10 to 30 Vdc
INPUT CURRENT	1.8A at 12.8V, 1A at 25.6V
INPUT POWER	24 Watts
OUTPUT POWER	20 Watts
FLASH RATE	
Quad Flash:	140 flashes per minute.

CONNECTION DIAGRAMS



INSTALLING THE QUAD-PAK 202 ...

3. Electrical Hookup

Connect the RED wire to a fused +12/24V circuit through an ON/OFF switch.

> A 10 AMP FUSE IS REQUIRED <

Connect the BLACK wire to - Ground.

Note: Use the correct size wire for power connections.

The length of the wires determines the size needed.

1 to 15 ft. use 18AWG wire.

15 to 30 ft. use 16AWG wire.

30 to 45 ft. use 14AWG wire.

45 and over, use 12AWG wire.

The VIOLET wire controls LOW POWER. To select low power connect the VIOLET wire to +12/24V. If the LOW POWER function is not used, simply leave the VIOLET wire unconnected.

The wiring diagrams below show typical installations.

DIAGRAM (1) Simple ON/OFF control.

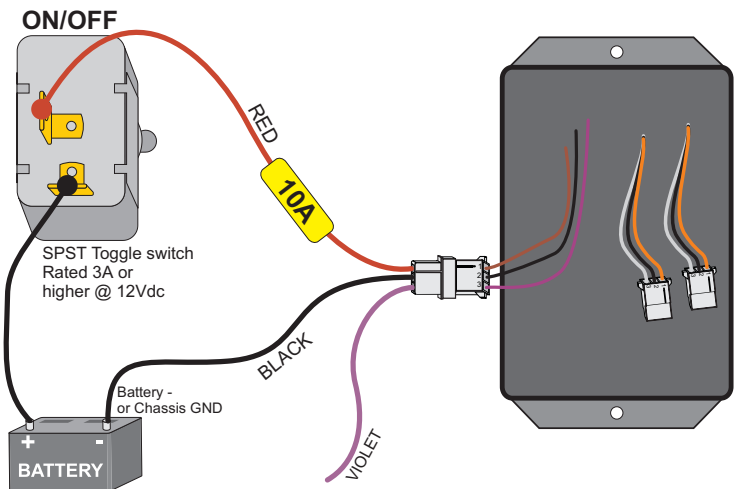
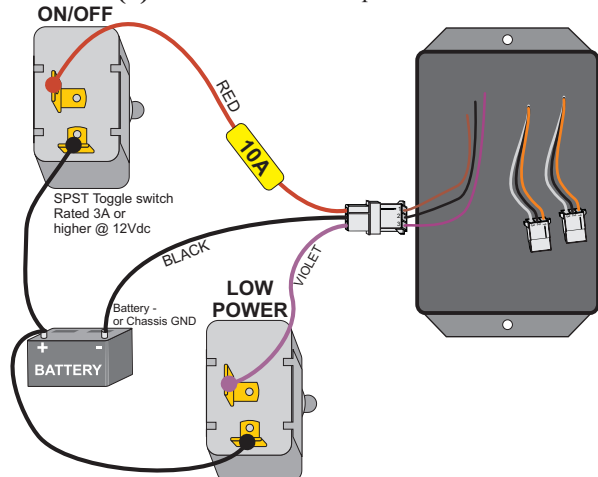


DIAGRAM (2) ON/OFF with LOW power function switch.



INSTALLING THE QUAD-PAK 202

1. Mounting Considerations

The QUAD-PAK 202 is encapsulated, but is **not** a 100% waterproof system and should be mounted in a clean, dry area. Exposing the outlet connectors to water will cause the QUAD-PAK 202 to shut down.

For external mounting, the QUAD-PAK 202-DEU version includes 100% waterproof connectors.

Mounting tabs are provided so that the unit can be mounted to a flat surface with #8 screws.

2. Strobe Head installation

Plug the strobe light heads into the outlets.