

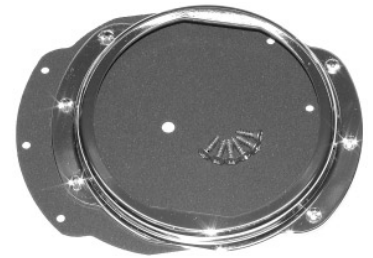
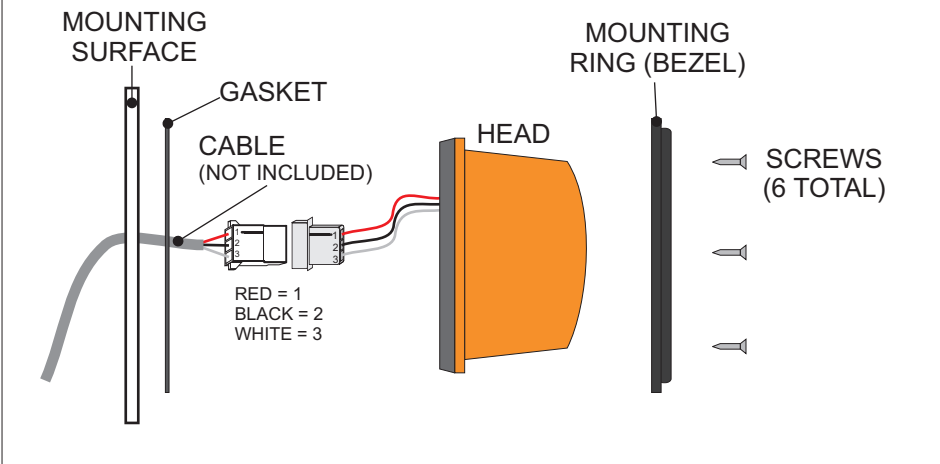
FLUSH MOUNT LINEAR36 HEAD OR FLUSH MOUNT KIT

INSTALLATION INSTRUCTIONS

INSTALLATION PROCEDURE:

Pilot holes may be drilled if desired. Use the mounting ring or the paper template below to mark the hole locations. Feed the extension cable (not included) through the mounting surface and gasket. Install the connector on cable and plug into light head. Screw the mounting ring down over the head with the screws provided.

INSTALLATION DIAGRAM:



FLUSH MOUNT KIT
(STROBE HEAD NOT INCLUDED)



LINEAR36 FLUSH HEAD

TEMPLATE: (ACTUAL SIZE)

