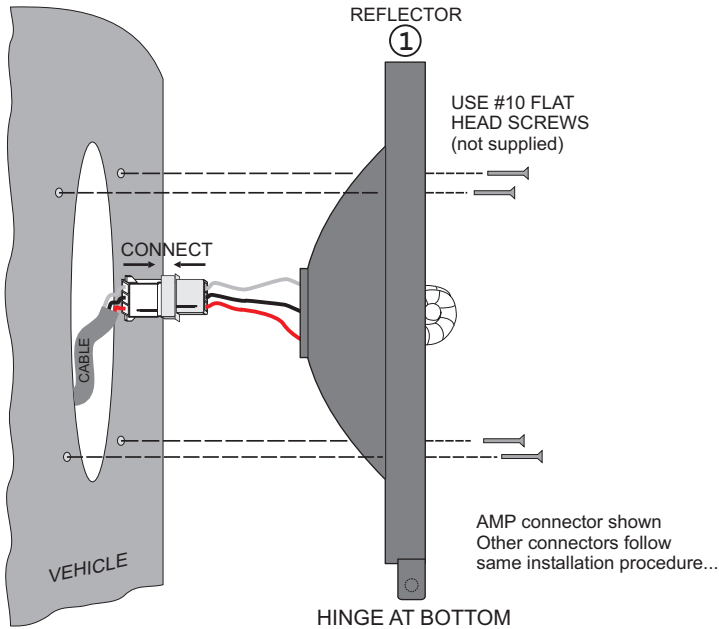


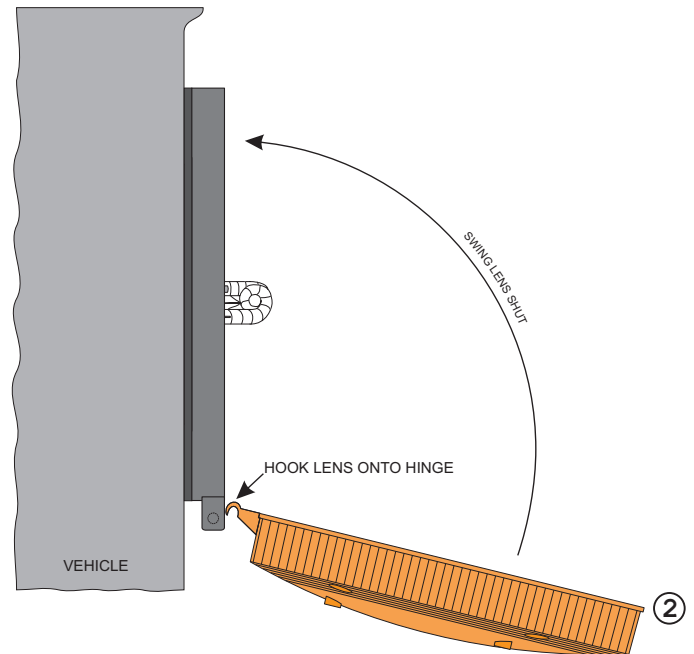
PART NUMBERS: WIC180A OR R = Strobe Head, Amp Connector. Amber, or Red
 WIC180ADEU or RDEU = Strobe Head, Detusch Connector, Amber or Red
 WIC180AHAL or RHAL = Halogen Head, Amber or Red.

1) MOUNT REFLECTOR ONTO VEHICLE



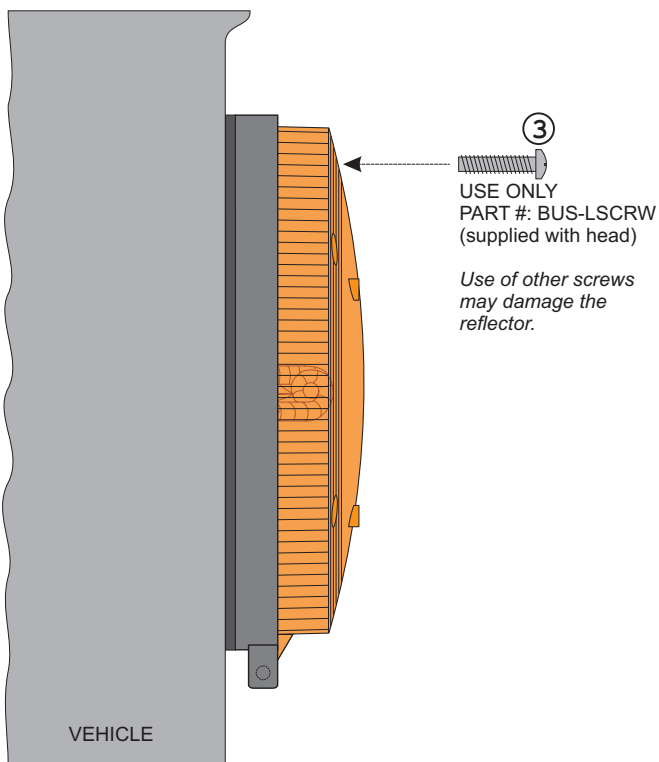
The template on the back of this sheet can be used to mark the location of the mounting holes.

2) INSTALL LENS



3) INSTALL LENS SCREW

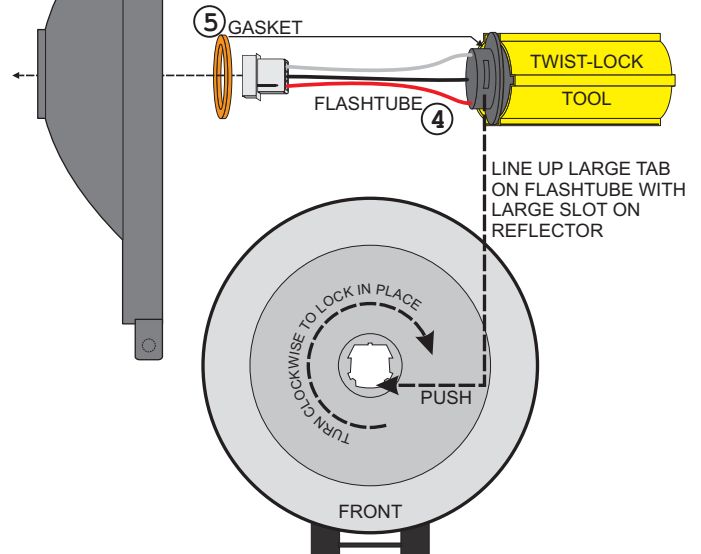
REMOVING/INSTALLING FLASHTUBE



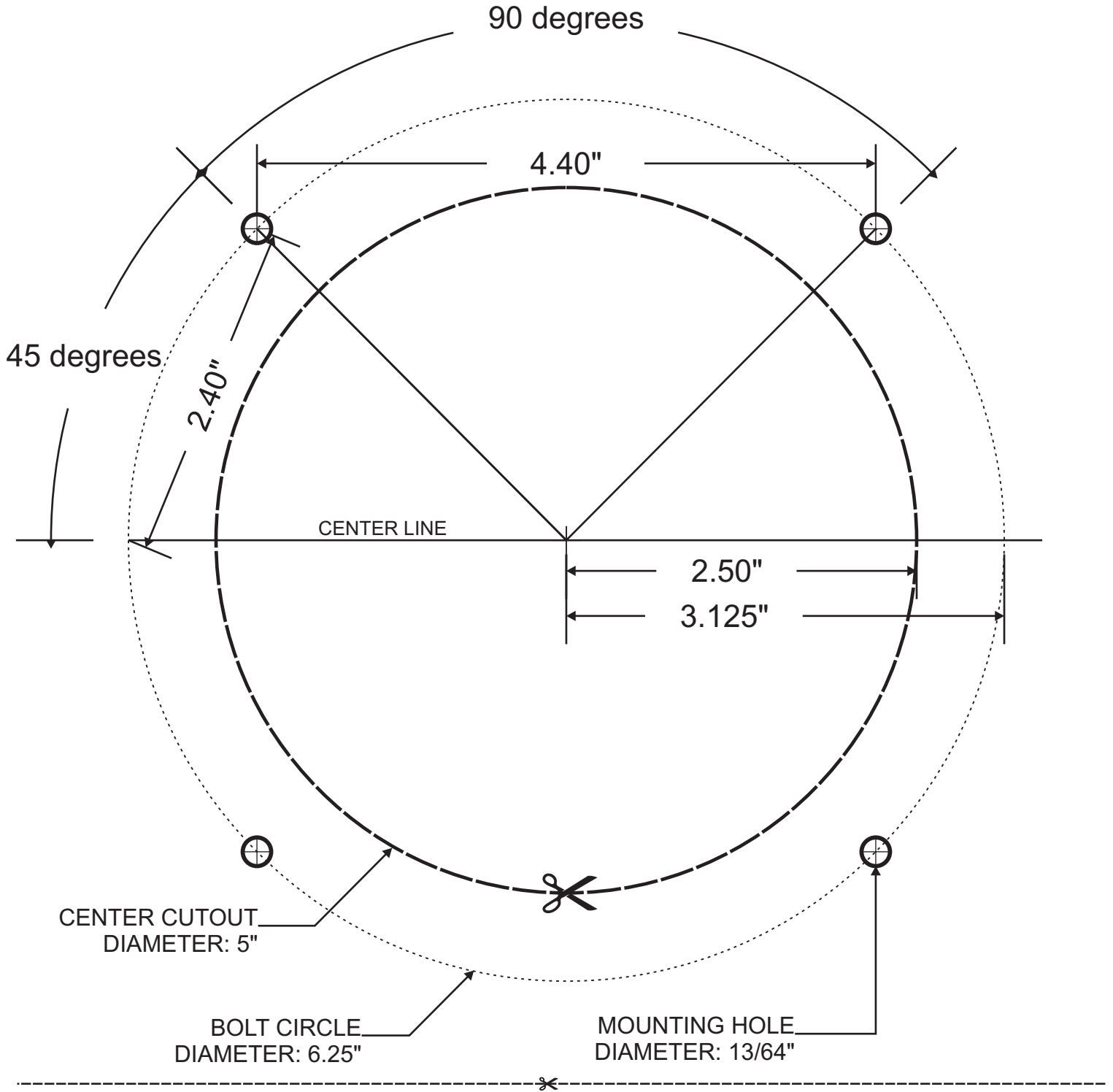
To remove the flashtube, twist counter clockwise. Pull straight out when the flashtube is unlocked.

To install the flashtube, line up the 'Large Tab' on the flashtube with the large slot on the reflector. Push in while twisting clockwise. Tube will lock in place.

Note: The Twist-Lock tool is provided with the replacement flashtube.



MOUNTING HOLE TEMPLATE - ACTUAL SIZE



Methods for marking the mounting holes:

- (A) Cut the template along the dotted line indicated by the scissors. Tape the template to the vehicle in the desired location. Scribe a circle for the center cutout. Mark the mounting bolt holes with a center punch.
- (B) The locations of the mounting holes and center cutout can be scribed on the vehicle using a COMPASS, and either a PROTRACTOR or a set of CALIPERS. All of the measurements needed are shown in the diagram above.